

RefLED Superia Retro ES50 V3 345LM 830 36 SL

Item No: 0029106

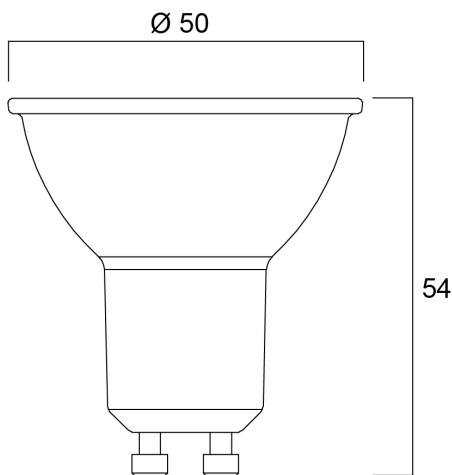
SYLVANIA



Premium performance professional LED GU10 range with the same look and feel of traditional halogen GU10 lamp
Recreates backlight effect similar to halogen dichroic lamps Full glass design - means no colours clashing between lamp and fixture Very long lifetime of up to 25,000 hours COOLFIT functionality – ensures overheat and over temperature protection High switching cycles: >100,000 High colour rendering: CRI80 Non dimmable Warranty: 5 Years

Technical Assets

Dimensions (mm)



Photometrics

RefLED Superia Retro ES50 V3 345LM 830 36 SL

Item No: 0029106

SYLVANIA

General data

Cap/Base	GU10
ETIM Class	EC001959
Product name	RefLED Superia Retro ES50 V3 345LM 830 36 SL
E-number FI	4741039
Watt (Rated) (W)	4
Technology	LED
Operating temperature range (°C)	-20°C...+50°C
Performance ambient temperature Tq (°C)	25
Warranty	5 years
General application	Office, Hospitality, Retail, Education, Residential & Consumer, Museums & Galleries
Fixture rating	Open

Optical data

Lumen maintenance at end of nominal life (%)	70
Photobiological Risk Group	RG1
Colour Consistency (SDCM)	6
Light colour	Warm White
Colour Variation Initial (SDCM)	SDCM6
Beam Angle (°)	36
CRI (Ra)	80
Luminous Intensity (cd)	700
Useful luminous flux (Φuse)	345
Correlated colour temperature (k)	3000

Electrical data

Max. products per 16A B Breaker	169
Inrush Duration (µs)	232
Equivalent watt (W)	50
Inrush Current (A)	3.4
Max. products per 16A C Breaker	282
Lamp Energy Label (class)	F
Control gear required	No
Dimmable	No
Nominal Frequency (Hz)	50/60Hz
No. Of switching cycles before premature failures	>100000
Wattage (W)	4
Power consumption (W)	4
Primary Supply/Product voltage - min (V)	220
Primary Supply/Product voltage - max (V)	240

Lifetime data

Average life (Nominal) (h)	25000
Average life (Rated) (h)	25000
Lifespan L70 B50	25000

Physical data

Nominal Product Height (mm)	54
Nominal Product Diameter (mm)	50
Weight (kg)	0.043

RefLED Superia Retro ES50 V3 345LM 830 36 SL

Item No: 0029106

SYLVANIA

Packaging

DUN14 (inner)	15410288291069
Packaging inner length / height (cm)	19.4
Packaging inner depth (cm)	9.5
Packaging single length / height (cm)	8.2
Product EAN number	5410288291062
Packaging single depth (cm)	5.1
Units per inner package	6
Units per outer package	60
Packaging single width (cm)	6.1
Packaging outer depth (cm)	21.7
DUN14 (outer)	25410288291066
Packaging outer width (cm)	21.8
Packaging outer length / height (cm)	58.8
Packaging inner width (cm)	11.3

Safety data

Dry applications use only	Yes
Suitable for household illumination	Yes
Optimal operating condition (°C)	-20-50
Breakage cleaning instructions	Not applicable
Special purpose lamp	No
Safety message	None