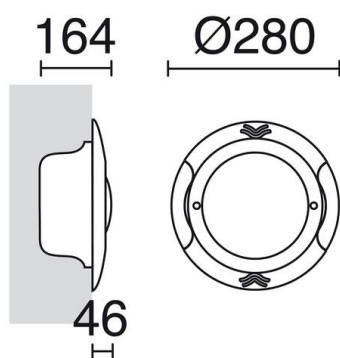


# BELT 030A-L0316D-01 Underwater recessed BELT IP68 LED SMD 16W 1485lm CRI80 5700K White



Family submersible lights Belt is subdivided into two types: submersible recessed made mixture of stainless steel and brass to install both the concreted pools and out of the water and submersible recessed made of white thermoplastic to place on the walls. They are ideal for installing lighting in fountains, pools, etc. The luminaries Belt prefabricated pools are specially made to be installed in prefabricated pools and are operating as long as they are submerged. They are made of white thermoplastic, but there is also a stainless steel version with different types of lamps. Its lighting ratio is 20m<sup>2</sup>.

### GENERAL DATA

Category	Underwater Lights
Family	Belt
Finish	[01] White
Location	Outdoor
Installation	Wall
Body material	Thermoplastic
Frame material	Thermoplastic
ETIM class	EC0028g2
EAN	8435256534115

### LIGHT SOURCES AND BEAMS

Sources	LED SMD 16W max. 1485lm 5700K CRI80
Energy efficiency	F
Beam	Direct symmetric

### TECHNICAL DATA

Dimensions	Height x Width x Length (mm): 280 x 280 x 164
IP	IP68
Corrosion resistance	Yes
Protection class	Class III
Frequency	50/60 Hz
Input voltage	12V AC V
Auxiliary gear	Without equipment, needed
Glow wire temperature	850.0 °C
Lifetime	50,000 h
LED lifetime L	80
LED lifetime B	20
Weight	2.4 Kg
Cable outlets	1
Lead wire length	2,500.0 mm
Cut hole box included	Yes
Cut hole dimensions	Diameter x Depth (mm): 240 x 164
ECORAAE category I	LED-B
ECORAAE I	0.5
ECORAAE II	0.2
Flammable surfaces	Yes
Electric screwdriver	Yes

### NOTES

- Suitable for installation in concrete pools
- 1 lamp light 20m<sup>2</sup> in swimming pools, but not in fountains (height)
- Available with V2 lamp version.

**BELT** 030A-L0316D-01 Underwater recessed BELT IP68 LED SMD 16W 1485lm CRI80 5700K White

---

Available in stainless steel.

---

Available in DMX with V2 lamp version.

---

Keep ALWAYS UNDER WATER when ON (up to 2 meters)

---

**BELT** 030A-L0316D-01 Underwater recessed BELT IP68 LED SMD 16W 1485lm CRI80 5700K White

**RECOMMENDED ACCESSORIES**



**B02I-X33F9D-02**  
Power supplies ALIMENTADORES  
Black

Input voltage	230V AC
Frequency	50/60
Wattage (W)	350.0
IP	IP65
Protection class	Class II



**B02I-X33G1D-02**  
Power supplies ALIMENTADORES  
Black

Input voltage	230V AC
Frequency	50/60
Wattage (W)	700.0
IP	IP65
Protection class	Class II