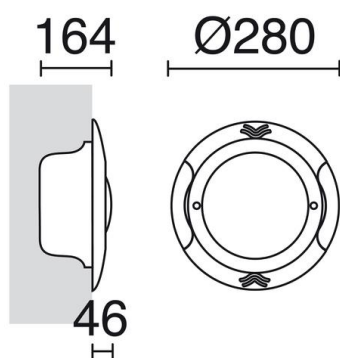


# BELT 030A-L0427D-01

Underwater recessed BELT IP68 LED SMD RGB 27W CRI80 White



Family submersible lights Belt is subdivided into two types: submersible recessed made mixture of stainless steel and brass to install both the concreted pools and out of the water and submersible recessed made of white thermoplastic to place on the walls. They are ideal for installing lighting in fountains, pools, etc. The luminaries Belt prefabricated pools are specially made to be installed in prefabricated pools and are operating as long as they are submerged. They are made of white thermoplastic, but there is also a stainless steel version with different types of lamps. Its lighting ratio is 20m<sup>2</sup>.

### GENERAL DATA

Category	Underwater Lights
Family	Belt
Finish	[01] White
Location	Outdoor
Installation	Wall
Body material	Thermoplastic
Frame material	Thermoplastic
ETIM class	EC0028g2
EAN	8435256534108

### LIGHT SOURCES AND BEAMS

Sources	LED SMD RGB 27W max. CRI80
Energy efficiency	G
Beam	Direct symmetric

### TECHNICAL DATA

Dimensions	Height x Width x Length (mm): 280 x 280 x 164
IP	IP68
Protection class	Class III
Frequency	50/60 Hz
Input voltage	12V AC V
Auxiliary gear	Without equipment, needed
Glow wire temperature	850.0 °C
Lifetime	60,000 h
LED lifetime L	80
LED lifetime B	20
Weight	2.45 Kg
Cable outlets	1
Lead wire length	2,500.0 mm
Cut hole box included	Yes
Cut hole dimensions	Diameter x Depth (mm): 240 x 164
ECORAAE category I	LED-B
ECORAAE I	0.5
ECORAAE II	0.2
Flammable surfaces	Yes
Electric screwdriver	Yes

### NOTES

- Suitable for installation in concrete pools
- 1 lamp light 20m<sup>2</sup> in swimming pools, but not in fountains (height)
- Available with V2 lamp version.
- Available in stainless steel.



**BELT** 030A-L0427D-01

Underwater recessed BELT IP68 LED SMD RGB 27W CRI80 White

---

Available in DMX with V2 lamp version.

---

Keep ALWAYS UNDER WATER when ON (up to 2 meters)

---

Admissibles 12 couleurs et 8 séquences ( avec récepteur-modulateur B05B-X33X2B-01+télécommande B05A-X33X2X)

---

7 and 8 colors eligible sequences (with button B01A-X33X2A-03)

---

# BELT 030A-L0427D-01

Underwater recessed BELT IP68 LED SMD RGB 27W CRI80 White

## RECOMMENDED ACCESSORIES

 	<p><b>B01A-X33X2A-03</b>                      Loop-Circuit Push Device                      CONTROL RGB IP65 Grey</p>	<table border="1"> <tr><td>Input voltage</td><td>110-240V AC</td></tr> <tr><td>Frequency</td><td>50/60</td></tr> <tr><td>IP</td><td>IP65</td></tr> <tr><td>Protection class</td><td>Class II</td></tr> </table>	Input voltage	110-240V AC	Frequency	50/60	IP	IP65	Protection class	Class II		
Input voltage	110-240V AC											
Frequency	50/60											
IP	IP65											
Protection class	Class II											
	<p><b>B05A-X33X2X-02</b>                      Remote control CONTROL RGB                      IP40 Black</p>	<table border="1"> <tr><td>Input voltage</td><td>12V DC</td></tr> <tr><td>IP</td><td>IP40</td></tr> </table>	Input voltage	12V DC	IP	IP40						
Input voltage	12V DC											
IP	IP40											
	<p><b>B02I-X33F9D-02</b>                      Power supplies ALIMENTADORES                      Black</p>	<table border="1"> <tr><td>Input voltage</td><td>230V AC</td></tr> <tr><td>Frequency</td><td>50/60</td></tr> <tr><td>Wattage (W)</td><td>350.0</td></tr> <tr><td>IP</td><td>IP65</td></tr> <tr><td>Protection class</td><td>Class II</td></tr> </table>	Input voltage	230V AC	Frequency	50/60	Wattage (W)	350.0	IP	IP65	Protection class	Class II
Input voltage	230V AC											
Frequency	50/60											
Wattage (W)	350.0											
IP	IP65											
Protection class	Class II											
 	<p><b>B05B-X33X2B-01</b>                      Receiver-antenna modulator 230V                      CONTROL RGB IP40 White</p>	<table border="1"> <tr><td>Input voltage</td><td>220-240V AC</td></tr> <tr><td>Frequency</td><td>50/60</td></tr> <tr><td>IP</td><td>IP40</td></tr> </table>	Input voltage	220-240V AC	Frequency	50/60	IP	IP40				
Input voltage	220-240V AC											
Frequency	50/60											
IP	IP40											
	<p><b>B02I-X33G1D-02</b>                      Power supplies ALIMENTADORES                      Black</p>	<table border="1"> <tr><td>Input voltage</td><td>230V AC</td></tr> <tr><td>Frequency</td><td>50/60</td></tr> <tr><td>Wattage (W)</td><td>700.0</td></tr> <tr><td>IP</td><td>IP65</td></tr> <tr><td>Protection class</td><td>Class II</td></tr> </table>	Input voltage	230V AC	Frequency	50/60	Wattage (W)	700.0	IP	IP65	Protection class	Class II
Input voltage	230V AC											
Frequency	50/60											
Wattage (W)	700.0											
IP	IP65											
Protection class	Class II											