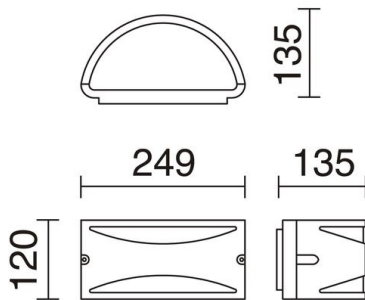


CICLON 051B-G05X1A-04

Wall Bracket CICLON IP54 E27 20W up-down Anthracite

Ciclon wall light is made of aluminum in anthracite color with IP54, available in two versions with double and double direct light emission. It is suitable for illuminating residential areas outside.



GENERAL DATA

Category	Surface
Family	Ciclon
Finish	[04] Anthracite
Location	Outdoor
Installation	Wall
Body material	Aluminum
Diffuser material	Opal polycarbonate
ETIM class	EC0028g2
EAN	8435256557886

LIGHT SOURCES AND BEAMS

Sources	E27 LED Bulb/TC-TSE 20W max.
Lamp included	No
Beams	Direct symmetric Indirect symmetric

TECHNICAL DATA

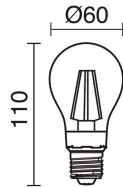
Dimensions	Height x Width x Length (mm): 120 x 249 x 135
IP	IP54
Protection class	Class I
Frequency	50/60 Hz
Input voltage	110-240V AC V
Auxiliary gear	Without equipment, not needed
Weight	0.883333 Kg
Cable outlets	1
ECORAE category I	CAT-B
ECORAE I	0.5
Flammable surfaces	Yes



CICLON 051B-G05X1A-04

Wall Bracket CICLON IP54 E27 20W up-down Anthracite

RECOMMENDED ACCESSORIES



632C-L0506B-01

Lamp LED FILAMENT E27 LED
Bulb 6W 800lm CRI80 2700K 360°

Input voltage 110-240V AC

Frequency 50/60

Wattage (W) 6.0

IP IP20

Protection class Class I

CICLON 051B-G05X1A-04

Wall Bracket CICLON IP54 E27 20W up-down Anthracite

COMPLEMENTARY IMAGES



PRODUCTS OF THE SAME FAMILY



Ciclon Up-down