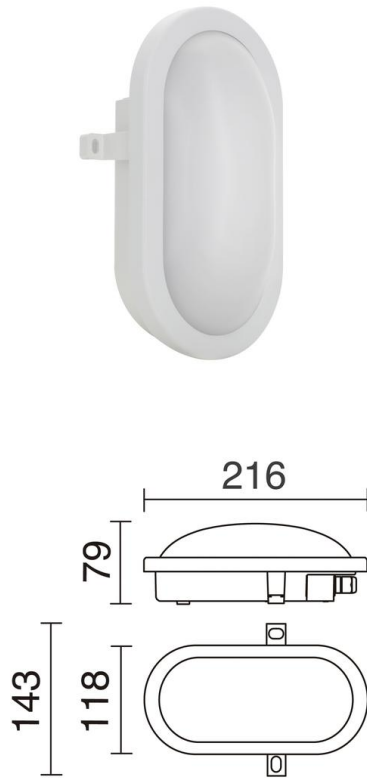


FAR 107J-L0212B-01

Wall Bracket FAR IP54 LED SMD 12W 840lm CRI80 4000K 110° White



Far wall light family is made of polyamide / ABS, available in two round and oval shapes, also in four colors: black, white, gray and anthracite. It is suitable for ceiling and wall installation. Thanks to its universal design it is suitable for illuminating outdoor residential areas.

GENERAL DATA

Category	Surface
Family	Far
Finish	[01] White
Location	Outdoor
Installation	Wall
Body material	ABS
Diffuser material	Opal polycarbonate
Frame material	ABS
ETIM class	EC0028g2
EAN	8433264098124

LIGHT SOURCES AND BEAMS

Sources	LED SMD 12W max. 840lm 4000K CRI80
Energy efficiency	G
Beam	110° - Direct symmetric

TECHNICAL DATA

Dimensions	Length x Width x Height (mm): 216 x 143 x 79
IP	IP54
Protection class	Class II
Frequency	50/60 Hz
Input voltage	220-240V AC V
Power factor	0.5
Auxiliary gear	Electronic
Lifetime	30.000 h
LED lifetime L	70
LED lifetime B	50
Weight	0.263 Kg
Cable outlets	1

NOTES

- With side inlet
- Luminaire suitable for installation in environments with saline atmosphere

FAR 107J-L0212B-01

Wall Bracket FAR IP54 LED SMD 12W 840lm CRI80 4000K 110° White

COMPLEMENTARY IMAGES



PRODUCTS OF THE SAME FAMILY



Far Oval M



Far Oval S



Far Round



Far Round Led