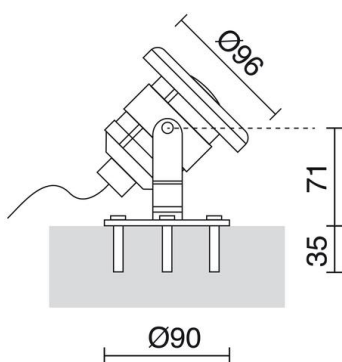


LYNN 187A-L0404D-32 Underwater Spotlight LYNN IP68 LED SMD RGB 4W CRI80 45° 180° Chrome



Lynn submersible spotlights are made of brass and can be installed both on the wall and the floor, adjustable, and IP68 have two types of light: white and RGB. Ideal for illuminating fountains, pools or other types of surfaces.

GENERAL DATA

Category	Underwater Lights
Family	Lynn
Finish	[32] Chrome
Location	Outdoor
Installation	Wall
Body material	Brass
Diffuser material	Transparent methacrylate
Frame material	Brass
ETIM class	EC001744
EAN	8435256534269

LIGHT SOURCES AND BEAMS

Sources	LED SMD RGB 4W max. CRI80
Energy efficiency	G
Beam	45° - Direct symmetric

TECHNICAL DATA

Dimensions	Height x Width x Length (mm): 71 x 96 x 90
IP	IP68
Protection class	Class III
Frequency	50/60 Hz
Input voltage	12V AC V
Auxiliary gear	Without equipment, needed
Glow wire temperature	850.0 °C
Lifetime	50,000 h
LED lifetime L	80
LED lifetime B	20
Weight	1.45 Kg
Cable outlets	1
Lead wire length	2,500.0 mm
Tilt angle	180.0 °
Cut hole dimensions	Depth (mm): 35
ECORAAE category I	LED-B
ECORAAE I	0.5
Periodic maintenance	Yes



NOTES

- Available in warm white and DMX
- Available in 2 different beams angles (narrow 22°, medium 34°)
- Suitable for installations outside water
- Stainless steel base.

LYNN 187A-L0404D-32 Underwater Spotlight LYNN IP68 LED SMD RGB 4W CRI80 45° 180° Chrome

RECOMMENDED ACCESSORIES



B02I-X33F9D-02
Power supplies ALIMENTADORES
Black

Input voltage	230V AC
Frequency	50/60
Wattage (W)	350.0
IP	IP65
Protection class	Class II



B02I-X33G1D-02
Power supplies ALIMENTADORES
Black

Input voltage	230V AC
Frequency	50/60
Wattage (W)	700.0
IP	IP65
Protection class	Class II

LYNN 187A-L0404D-32 Underwater Spotlight LYNN IP68 LED SMD RGB 4W CRI80 45° 180° Chrome

COMPLEMENTARY IMAGES

