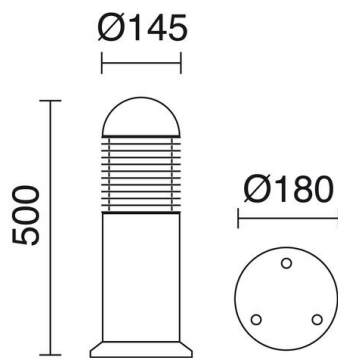


NOVA 222B-G05X1A-02

Bollard NOVA IP65 E27 70W 500mm Black



The Nova beacon is made of aluminum with IP65, available in three different sizes and three colors: brown, gray and black. Its light beam is rotosymmetric. It is designed to illuminate the busy areas outside.

GENERAL DATA

| | |
|-------------------|-----------------------|
| Category | Bollards and columns |
| Family | Nova |
| Finish | [02] Black |
| Location | Outdoor |
| Installation | Floor |
| Body material | Aluminum |
| Diffuser material | Frosted polycarbonate |
| Frame material | Aluminum |
| ETIM class | EC000301 |
| EAN | 8435256506693 |

LIGHT SOURCES AND BEAMS

| | |
|---------------|----------------------------------|
| Sources | E27 LED Bulb/TC-TSE/HAL 70W max. |
| Lamp included | No |
| Beam | Rotosimétrica |

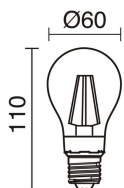
TECHNICAL DATA

| | |
|----------------------|-----------------------------------|
| Dimensions | Height x Diameter (mm): 500 x 145 |
| IP | IP65 |
| IK | 10 |
| Corrosion resistance | Yes |
| Protection class | Class I |
| Frequency | 50/60 Hz |
| Input voltage | 110-240V AC V |
| Auxiliary gear | Without equipment, not needed |
| Weight | 3.8 Kg |
| Cable outlets | 1 |
| ECORAE category I | CAT-B |
| ECORAE I | 0.5 |

NOVA 222B-G05X1A-02

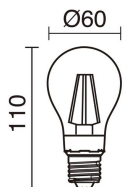
Bollard NOVA IP65 E27 70W 500mm Black

RECOMMENDED ACCESSORIES



632C-L0506B-01
Lamp LED FILAMENT E27 LED
Bulb 6W 800lm CRI80 2700K 360°

| | |
|------------------|-------------|
| Input voltage | 110-240V AC |
| Frequency | 50/60 |
| Wattage (W) | 6.0 |
| IP | IP20 |
| Protection class | Class I |



632C-L0506B-02
Lamp LED FILAMENT E27 LED
Bulb 6W 800lm 4000K 360°

| | |
|------------------|-------------|
| Input voltage | 110-240V AC |
| Frequency | 50/60 |
| Wattage (W) | 6.0 |
| IP | IP20 |
| Protection class | Class I |

NOVA 222B-G05X1A-02

Bollard NOVA IP65 E27 70W 500mm Black

PRODUCTS OF THE SAME FAMILY



Nova H1100



Nova H650