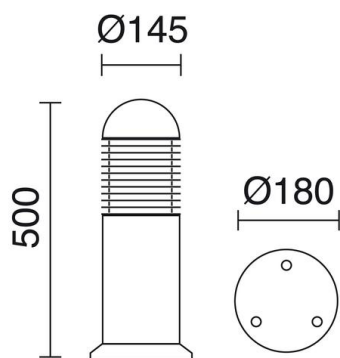


NOVA 222B-G05X1A-02

Bollard NOVA IP65 E27 70W 500mm Black



The Nova beacon is made of aluminum with IP55, available in three different sizes and three colors: brown, gray and black. Its light beam is rotosymmetric. It is designed to illuminate the busy areas outside.

GENERAL DATA

Category	Bollards and columns
Family	Nova
Finish	[02] Black
Location	Outdoor
Installation	Floor
Body material	Aluminum
Diffuser material	Frosted polycarbonate
Frame material	Aluminum
ETIM class	EC000301
EAN	8435256506693

LIGHT SOURCES AND BEAMS

Sources	E27 LED Bulb/TC-TSE/HAL 70W max.
Lamp included	No
Beam	Rotosimétrica


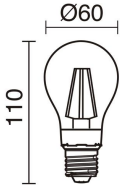

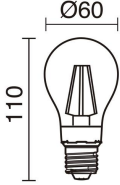
TECHNICAL DATA

Dimensions	Height x Diameter (mm): 500 x 145
IP	IP65
IK	10
Corrosion resistance	Yes
Protection class	Class I
Frequency	50/60 Hz
Input voltage	110-240V AC V
Auxiliary gear	Without equipment, not needed
Weight	3.8 Kg
Cable outlets	1
ECORAE category I	CAT-B
ECORAE I	0.5

NOVA 222B-G05X1A-02

Bollard NOVA IP65 E27 70W 500mm Black

RECOMMENDED ACCESSORIES

		<p>632C-L0506B-01 Lamp LED FILAMENT E27 LED Bulb 6W 800lm CRI80 2700K 360°</p>	<table border="1"> <tbody> <tr> <td>Input voltage</td> <td>110-240V AC</td> </tr> <tr> <td>Frequency</td> <td>50/60</td> </tr> <tr> <td>Wattage (W)</td> <td>6.0</td> </tr> <tr> <td>IP</td> <td>IP20</td> </tr> <tr> <td>Protection class</td> <td>Class I</td> </tr> </tbody> </table>	Input voltage	110-240V AC	Frequency	50/60	Wattage (W)	6.0	IP	IP20	Protection class	Class I
Input voltage	110-240V AC												
Frequency	50/60												
Wattage (W)	6.0												
IP	IP20												
Protection class	Class I												
		<p>632C-L0506B-02 Lamp LED FILAMENT E27 LED Bulb 6W 800lm 4000K 360°</p>	<table border="1"> <tbody> <tr> <td>Input voltage</td> <td>110-240V AC</td> </tr> <tr> <td>Frequency</td> <td>50/60</td> </tr> <tr> <td>Wattage (W)</td> <td>6.0</td> </tr> <tr> <td>IP</td> <td>IP20</td> </tr> <tr> <td>Protection class</td> <td>Class I</td> </tr> </tbody> </table>	Input voltage	110-240V AC	Frequency	50/60	Wattage (W)	6.0	IP	IP20	Protection class	Class I
Input voltage	110-240V AC												
Frequency	50/60												
Wattage (W)	6.0												
IP	IP20												
Protection class	Class I												

NOVA 222B-G05X1A-02

Bollard NOVA IP65 E27 70W 500mm Black

PRODUCTS OF THE SAME FAMILY



Nova H1100



Nova H650