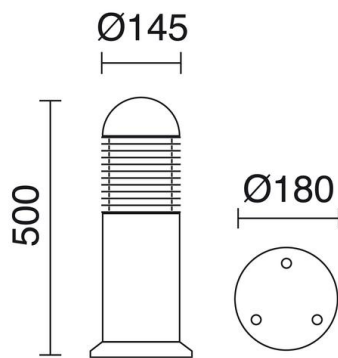


# NOVA 222B-L3115B-02 Bollard NOVA IP65 LED SMD AC 15W 2300lm CRI80 3000K 500mm Black



The Nova beacon is made of aluminum with IP55, available in three different sizes and three colors: brown, gray and black. Its light beam is rotosymmetric. It is designed to illuminate the busy areas outside.

### GENERAL DATA

Category	Bollards and columns
Family	Nova
Finish	[02] Black
Location	Outdoor
Installation	Floor
Body material	Aluminum
Diffuser material	Frosted polycarbonate
Frame material	Aluminum
ETIM class	EC000301
EAN	8433264119553

### LIGHT SOURCES AND BEAMS

Sources	LED SMD AC 15W max. 2300lm 3000K CRI80
Total flux	195 lm
Energy efficiency	D
Beam	Rotosimétrica

### TECHNICAL DATA

Dimensions	Height x Diameter (mm): 500 x 145
IP	IP65
IK	10
Corrosion resistance	Yes
Protection class	Class I
Frequency	50/60 Hz
Input voltage	220-240V AC V
Auxiliary gear	Without equipment, not needed
Lifetime	50,000 h
LED lifetime L	80
LED lifetime B	20
Weight	3.8 Kg
Cable outlets	1
ECORAE category I	CAT-B
ECORAE I	0.5

# **NOVA** 222B-L3115B-02 Bollard NOVA IP65 LED SMD AC 15W 2300lm CRI80 3000K 500mm Black

**PRODUCTS OF THE SAME FAMILY**

---



Nova H1100



Nova H650