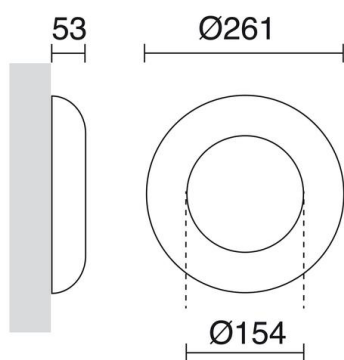


PRAGA 253A-L0316D-01 Underwater Surface Mounted PRAGA IP68 LED SMD 16W 1485lm CRI80 5700K White



Prague submersible lights are made of thermoplastic white, but are also available in stainless steel version, feature IP68 and can be installed both prefabricated pools and concreted. Each lamp illuminates 20m2. It is a perfect light fixture pool.

GENERAL DATA

Category	Underwater Lights
Family	Praga
Finish	[01] White
Location	Outdoor
Installation	Wall
Frame material	Thermoplastic
ETIM class	EC002892
EAN	8435256534153

LIGHT SOURCES AND BEAMS

Sources	LED SMD 16W max. 1485lm 5700K CRI80
Energy efficiency	F
Beam	Direct symmetric

TECHNICAL DATA

Dimensions	Height x Width x Length (mm): 261 x 261 x 53
IP	IP68
Protection class	Class III
Frequency	50/60 Hz
Input voltage	12V AC V
Auxiliary gear	Without equipment, needed
Glow wire temperature	850.0 °C
Lifetime	50.000 h
LED lifetime L	80
LED lifetime B	20
Weight	1.35 Kg
Cable outlets	1
Lead wire length	2.500.0 mm
ECORAE category I	LED-B
ECORAE I	0.5
Flammable surfaces	Yes
Electric screwdriver	Yes

NOTES

- Suitable for installation in concrete pools
- 1 lamp light 20m² in swimming pools, but not in fountains (height)
- Available with V2 lamp version.
- Available in stainless steel.
- Available in DMX with V2 lamp version.

PRAGA 253A-L0316D-01 Underwater Surface Mounted PRAGA IP68 LED SMD 16W 1485lm CRI80 5700K White

RECOMMENDED ACCESSORIES



B02I-X33F9D-02
Power supplies ALIMENTADORES
Black

Input voltage	230V AC
Frequency	50/60
Wattage (W)	350.0
IP	IP65
Protection class	Class II



B02I-X33G1D-02
Power supplies ALIMENTADORES
Black

Input voltage	230V AC
Frequency	50/60
Wattage (W)	700.0
IP	IP65
Protection class	Class II

PRAGA 253A-L0316D-01 Underwater Surface Mounted PRAGA IP68 LED SMD 16W 1485lm CRI80
5700K White

PRODUCTS OF THE SAME FAMILY



Praga W