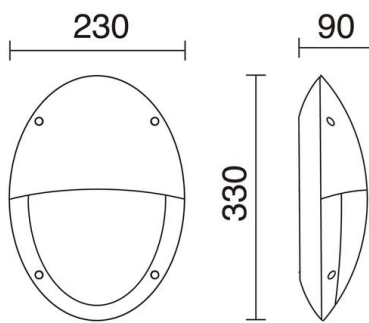


TEIA 317B-G05X1A-01

Wall Bracket TEIA IP66 E27 23W White



Family of wall lights Teia is made of polycarbonate in an oval shape with IP66, available in three colors gray, white and black and in two versions with and without coating. It is suitable for installations in environments with a saline atmosphere and for lighting residential and commercial outdoor areas.

GENERAL DATA

Category	Surface
Family	Teia
Finish	[01] White
Location	Outdoor
Installation	Wall
Body material	Polycarbonate
Diffuser material	Opal methacrylate
ETIM class	EC0028g2
EAN	8435256542967

LIGHT SOURCES AND BEAMS

Sources	E27 LED Bulb/TC-TSE 23W max.
Lamp included	No
Beam	Semi-direct

TECHNICAL DATA

Dimensions	Height x Width x Length (mm): 330 x 230 x 90
IP	IP66
IK	10
Corrosion resistance	Yes
Protection class	Class II
Frequency	50/60 Hz
Input voltage	110-240V AC V
Auxiliary gear	Without equipment, not needed
Weight	0.95 Kg
Cable outlets	1
ECORAE category I	CAT-B
ECORAE I	0.5
Flammable surfaces	Yes

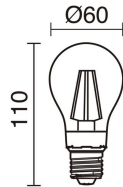
NOTES

Luminaire suitable for installation in environments with saline atmosphere
Protected material against u.v.

TEIA 317B-G05X1A-01

Wall Bracket TEIA IP66 E27 23W White

RECOMMENDED ACCESSORIES



632C-L0506B-01
Lamp LED FILAMENT E27 LED
Bulb 6W 800lm CRI80 2700K 360°

Input voltage	110-240V AC
Frequency	50/60
Wattage (W)	6.0
IP	IP20
Protection class	Class I

TEIA 317B-G05X1A-01

Wall Bracket TEIA IP66 E27 23W White

PRODUCTS OF THE SAME FAMILY



Teia C



Teia W Oval Hood