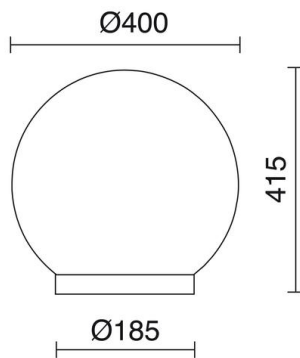


VIC 345D-G05X1A-02

Bollard VIC IP43 E27 105W 415mm Black



The Vic family is made of polyamide in black with IP43, it stands out for its round shape. It is made up of wall lights and beacons, available in different sizes. It is suitable for illuminating residential areas outside. This luminaire is suitable for installation in environments with a saline atmosphere.

GENERAL DATA

Category	Bollards and columns
Family	Vic
Finish	[02] Black
Location	Outdoor
Installation	Ceiling, Floor
Body material	Polyamide
Diffuser material	Opal methacrylate
ETIM class	EC000301
EAN	8435256521436

LIGHT SOURCES AND BEAMS

Sources	E27 LED Bulb/TC-TSE/HAL 105W max.
Lamp included	No
Beam	Diffuse

TECHNICAL DATA

Dimensions	Height x Width x Length (mm): 415 x 400 x 400
IP	IP43
Corrosion resistance	Yes
Protection class	Class II
Frequency	50/60 Hz
Input voltage	110-240V AC V
Auxiliary gear	Without equipment, not needed
Glow wire temperature	850.0 °C
Weight	2.1 Kg
Cable outlets	1
ECORAE category I	CAT-B
ECORAE I	0.5
Flammable surfaces	Yes
Electric screwdriver	Yes

NOTES

Luminaire suitable for installation in environments with saline atmosphere

VIC 345D-G05X1A-02

Bollard VIC IP43 E27 105W 415mm Black

RECOMMENDED ACCESSORIES

		<p>632C-L0506B-01 Lamp LED FILAMENT E27 LED Bulb 6W 800lm CRI80 2700K 360°</p>	<table border="1"> <tbody> <tr> <td>Input voltage</td> <td>110-240V AC</td> </tr> <tr> <td>Frequency</td> <td>50/60</td> </tr> <tr> <td>Wattage (W)</td> <td>6.0</td> </tr> <tr> <td>IP</td> <td>IP20</td> </tr> <tr> <td>Protection class</td> <td>Class I</td> </tr> </tbody> </table>	Input voltage	110-240V AC	Frequency	50/60	Wattage (W)	6.0	IP	IP20	Protection class	Class I
Input voltage	110-240V AC												
Frequency	50/60												
Wattage (W)	6.0												
IP	IP20												
Protection class	Class I												
		<p>632C-L0506B-02 Lamp LED FILAMENT E27 LED Bulb 6W 800lm 4000K 360°</p>	<table border="1"> <tbody> <tr> <td>Input voltage</td> <td>110-240V AC</td> </tr> <tr> <td>Frequency</td> <td>50/60</td> </tr> <tr> <td>Wattage (W)</td> <td>6.0</td> </tr> <tr> <td>IP</td> <td>IP20</td> </tr> <tr> <td>Protection class</td> <td>Class I</td> </tr> </tbody> </table>	Input voltage	110-240V AC	Frequency	50/60	Wattage (W)	6.0	IP	IP20	Protection class	Class I
Input voltage	110-240V AC												
Frequency	50/60												
Wattage (W)	6.0												
IP	IP20												
Protection class	Class I												

VIC 345D-G05X1A-02

Bollard VIC IP43 E27 105W 415mm Black

PRODUCTS OF THE SAME FAMILY



Vic L B



Vic L C



Vic L W



Vic M B



Vic M C



Vic S B



Vic S C



Vic S W