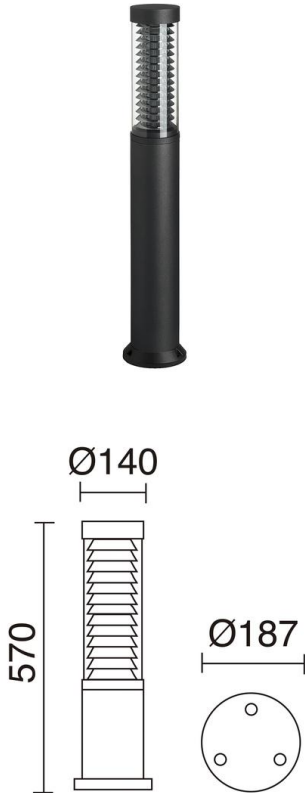


MAXIMA 388A-L3120B-04 Bollard MAXIMA IP55 LED SMD 20W 2880lm CRI80 3000K 593mm Anthracite



The Maxima family is made of aluminum in anthracite color with IP55, available in different sizes. It is composed of beacons and columns. The emission temperature is 3000K. Light is dispersed rotosymmetrically. It is suitable for illuminating busy areas outside.

GENERAL DATA

Category	Bollards and columns
Family	Maxima
Finish	[04] Anthracite
Location	Outdoor
Installation	Floor
Body material	Aluminum
Diffuser material	Transparent polycarbonate
ETIM class	EC000301
EAN	8433264106454

LIGHT SOURCES AND BEAMS

Sources	LED SMD 20W max. 2880lm 3000K CRI80
Total flux	2880 lm
Energy efficiency	E
Beam	Rotosimétrica

TECHNICAL DATA

Dimensions	Height x Diameter (mm): 593 x 187
IP	IP55
IK	08
Protection class	Class I
Frequency	50/60 Hz
Input voltage	220-240V AC V
Output current	550 mA
Power factor	0.9
Lifetime	50,000 h
LED lifetime L	80
LED lifetime B	20
Cable outlets	1
ECORAE category I	LED-B

NOTES

Install on rigid ground. On grass or earth, add pilaster cement.

MAXIMA

388A-L3120B-04 Bollard MAXIMA IP55 LED SMD 20W 2880lm CRI80 3000K 593mm Anthracite

PRODUCTS OF THE SAME FAMILY



Maxima Opal H1000



Maxima Opal H590



Maxima Transp H1000



Maxima Transp H2000



Maxima Transp H2480



Maxima Transp H3000