

MANLY 460A-L0205A-04 Spike Spotlight MANLY IP55 LED COB 2x5W 300lm CRI80 4000K 30° 75° Anthracite



El proyector Manly está fabricado en aluminio con el acabado de antracita, cuenta con IP55 y 15000 horas de vida. Consta de una piqueta y dos proyectores con la potencia de 5W que tienen el ángulo de rotación de 355°. Son luminarias hechas para alumbrar los espacios del exterior.

GENERAL DATA

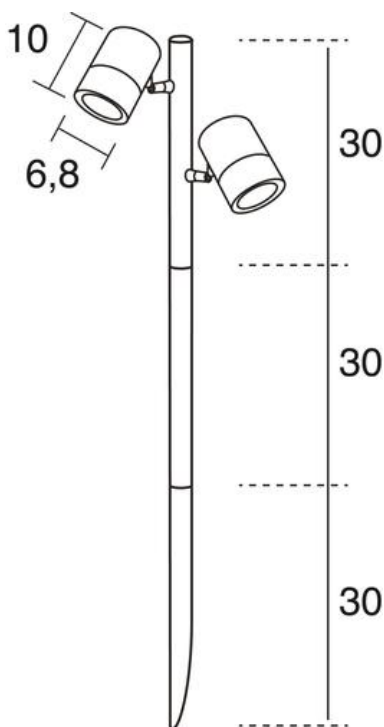
Category	Spotlights
Family	Manly
Finish	[04] Anthracite
Location	Outdoor
Installation	Floor
Body material	Aluminum
Diffuser material	Transparent glass
EAN	8435256599350

LIGHT SOURCES AND BEAMS

Sources	LED COB 2x 5W max. 2x 300lm 4000K CRI80
Energy efficiency	A++, A+, A
Beam	30° - Direct symmetric

TECHNICAL DATA

Dimensions	Height x Width x Length (mm): 900 x 160 x 68
IP	IP55
IP2	IP44
Protection class	Class I
Frequency	50/60 Hz
Input voltage	110-240V AC V
Auxiliary gear	Electronic
Lifetime	15,000 h
LED lifetime L	80
LED lifetime B	20
Weight	2.0 Kg
Cable outlets	1
Lead wire length	2,500.0 mm
Tilt angle	75.0 °
Rotation angle	355.0 °
ECORAAE category I	LED-B
ECORAAE I	0.5
Electric screwdriver	Yes



MANLY 460A-L0205A-04 Spike Spotlight MANLY IP55 LED COB 2x5W 300lm CRI80 4000K 30° 75° Anthracite

RECOMMENDED ACCESSORIES



B11A-X33X2A-04
Base FUNEL IP56 Anthracite

IP

IP56