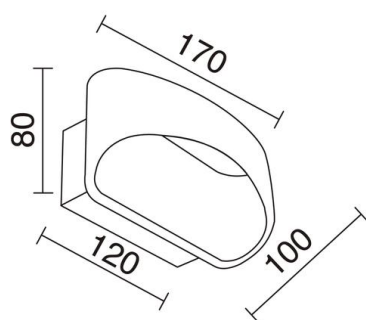


IV 497A-L0105A-39

Wall Bracket IV LED COB 5W 437lm CRI80 3000K up-down Anodized aluminum

IV is an ideal LED wall decoration and lighting of interior spaces such as lounges, dining rooms, living rooms, receptions and lobbies. This LED luminaire has been made of aluminum and versioned in two colors: black and aluminum onodizado. This fixture has been configured with a double light emission: direct and indirect.



GENERAL DATA

Category	Surface
Family	Iv
Finish	[39] Anodized aluminum
Location	Indoor
Installation	Wall
Body material	Aluminum
ETIM class	EC0028g2
EAN	8435256501247

LIGHT SOURCES AND BEAMS

Sources	LED COB 5W max. 437lm 3000K CRI80
Energy efficiency	A++, A+, A
Beams	Direct symmetric Indirect symmetric

TECHNICAL DATA

Dimensions	Height x Width x Length (mm): 80 x 170 x 100
IP	IP20
Protection class	Class I
Frequency	50/60 Hz
Input voltage	110-240V AC V
Lifetime	40.000 h
LED lifetime L	80
LED lifetime B	50
Weight	0.7 Kg
ECORAE category I	LED-A