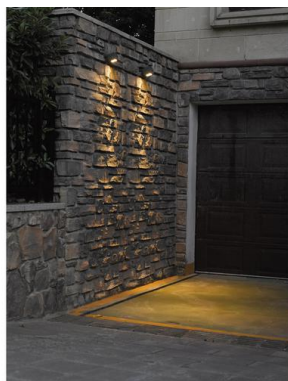
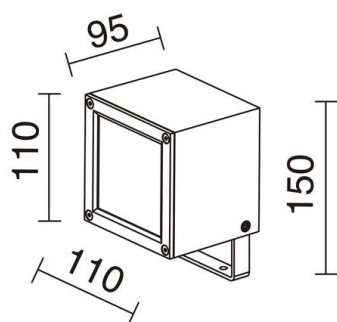


BARNI 551A-L0109A-04 Surface Mounted Spotlight BARNI IP65 LED SMD 9W 541lm CRI80 3000K 37° 90° Anthracite



La familia de proyectores Barni está fabricada de aluminio y cristal transparente con IP65 para instalarlo en el suelo y sobre la pared. Consta de dos luminarias de dos diferentes tamaños. Tiene el ángulo de inclinación máximo de 90° y la potencia máx. de 9W. Esta luminaria está hecha para iluminar las zonas de paso y zonas ajardinadas.

GENERAL DATA

Category	Spotlights
Family	Barni
Finish	104] Anthracite
Location	Outdoor
Installation	Floor, Wall
Body material	Aluminum
Diffuser material	Transparent glass
ETIM class	EC001744
EAN	8435258612491

LIGHT SOURCES AND BEAMS

Sources	LED SMD 9W max. 541lm 3000K CRI80
Energy efficiency	G
Beam	37° - Direct symmetric

TECHNICAL DATA

Dimensions	Height x Width x Length x Height 2 (mm): 150 x 95 x 108 x 108
IP	IP65
Protection class	Class I
Frequency	50/60 Hz
Input voltage	110-240V AC V
Output current	350 mA
Power factor	0.8
Auxiliary gear	Without equipment, not needed
Lifetime	40.000 h
LED lifetime L	80
LED lifetime B	50
Weight	1.083333 Kg
Cable outlets	2
Lead wire length	200.0 mm
Tilt angle	90.0 °
ECORAE category I	LED-B
ECORAE I	0.5
Flammable surfaces	Yes

BARNI

551A-L0109A-04 Surface Mounted Spotlight BARNI IP65 LED SMD 9W 541lm CRI80 3000K
37° 90° Anthracite

COMPLEMENTARY IMAGES



PRODUCTS OF THE SAME FAMILY



Barni M