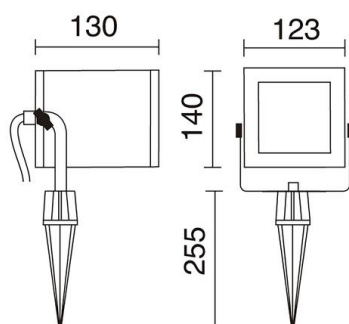


# NAYARA 567A-L0213B-04

Spotlights / Base Spotlight / Spike NAYARA IP65 LED COB AC 20W  
1900lm CRI80 4000K 220° Anthracite



La familia de proyectores Nayara está fabricada de aluminio y cristal transparente, cuenta con IP65 y es apta para instalaciones en el suelo, techo y sobre la pared. Tiene el ángulo de inclinación máximo de 350° y dispone de 50000 horas de vida, además incluye la piqueta. Se recomienda para iluminar las zonas de paso y zonas ajardinadas.

## GENERAL DATA

Category	Spotlights
Family	Nayara
Finish	[04] Anthracite
Location	Outdoor
Installation	Ceiling, Floor, Wall
Body material	Aluminum
Diffuser material	Transparent glass
ETIM class	EC001744
EAN	8435256522112

## LIGHT SOURCES AND BEAMS

Sources	LED COB AC 20W max. 1900lm 4000K CRI80
Total flux	1426 lm
Energy efficiency	F
Beam	Indirect symmetric

## TECHNICAL DATA

Dimensions	Length x Width x Height (mm): 123 x 165 x 140
IP	IP65
IP2	IP44
IK	09
Corrosion resistance	Yes
Protection class	Class I
Frequency	50/60 Hz
Input voltage	220-240V AC V
Power factor	0.95
Auxiliary gear	Electronic
Glow wire temperature	850.0 °C
Lifetime	50,000 h
LED lifetime L	70
LED lifetime B	50
Weight	1.0 Kg
Cable outlets	1
Lead wire length	2,700.0 mm
Tilt angle	220.0 °
Rotation angle	350.0 °
ECORAEE category I	LED-B
ECORAEE I	0.5
Electric screwdriver	Yes

## NOTES

With spike.

# NAYARA

567A-L0213B-04 Spotlights / Base Spotlight / Spike NAYARA IP65 LED COB AC 20W  
1900lm CRI80 4000K 220° Anthracite

**COMPLEMENTARY IMAGES**

---

