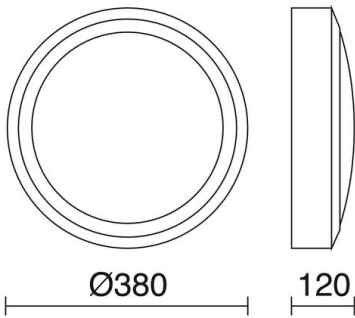


**DAIRA** 575A-G05X1A-01

Wall Bracket/ Ceiling Fixture DAIRA IP65 E27 2x42W White



Daira family of wall lights is made of aluminum with IP65, available in two versions with grille and without, also in three colors white, gray and brown. It is suitable for ceiling and wall installation. Thanks to its universal design it is suitable for illuminating outdoor residential areas.

**GENERAL DATA**

|                   |                    |
|-------------------|--------------------|
| Category          | Surface            |
| Family            | Daira              |
| Finish            | [01] White         |
| Location          | Outdoor            |
| Installation      | Ceiling, Wall      |
| Body material     | Aluminum           |
| Diffuser material | Opal polycarbonate |
| ETIM class        | EC0028g2           |
| EAN               | 8435256522419      |

**LIGHT SOURCES AND BEAMS**

|               |                                     |
|---------------|-------------------------------------|
| Sources       | E27 LED Bulb/TC-TSE/HAL 2x 42W max. |
| Lamp included | No                                  |
| Beam          | Direct symmetric                    |

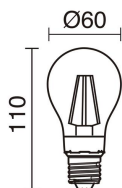
**TECHNICAL DATA**

|                       |                                   |
|-----------------------|-----------------------------------|
| Dimensions            | Diameter x Length (mm): 380 x 120 |
| IP                    | IP65                              |
| IK                    | 08                                |
| Corrosion resistance  | Yes                               |
| Protection class      | Class I                           |
| Frequency             | 50/60 Hz                          |
| Input voltage         | 110-240V AC V                     |
| Auxiliary gear        | Without equipment, not needed     |
| Glow wire temperature | 850.0 °C                          |
| Weight                | 1.0 Kg                            |
| Cable outlets         | 2                                 |
| ECORAE category I     | CAT-B                             |
| ECORAE I              | 0.5                               |

# DAIRA 575A-G05X1A-01

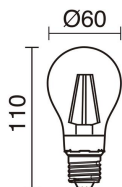
Wall Bracket/ Ceiling Fixture DAIRA IP65 E27 2x42W White

## RECOMMENDED ACCESSORIES



**632C-L0506B-01**  
Lamp LED FILAMENT E27 LED  
Bulb 6W 800lm CRI80 2700K 360°

|                  |             |
|------------------|-------------|
| Input voltage    | 110-240V AC |
| Frequency        | 50/60       |
| Wattage (W)      | 6.0         |
| IP               | IP20        |
| Protection class | Class I     |



**632C-L0506B-02**  
Lamp LED FILAMENT E27 LED  
Bulb 6W 800lm 4000K 360°

|                  |             |
|------------------|-------------|
| Input voltage    | 110-240V AC |
| Frequency        | 50/60       |
| Wattage (W)      | 6.0         |
| IP               | IP20        |
| Protection class | Class I     |

# DAIRA 575A-G05X1A-01

Wall Bracket/ Ceiling Fixture DAIRA IP65 E27 2x42W White

**PRODUCTS OF THE SAME FAMILY**

---



Daira D280  
Grid



Daira D280 No  
grid



Daira D380 No grid Emerg.