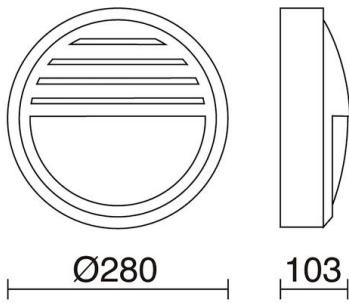


**DAIRA** 575C-G05X1A-01

Wall Bracket DAIRA IP65 E27 42W White



Daira family of wall lights is made of aluminum with IP65, available in two versions with grille and without, also in three colors white, gray and brown. It is suitable for ceiling and wall installation. Thanks to its universal design it is suitable for illuminating outdoor residential areas.

**GENERAL DATA**

Category	Surface
Family	Daira
Finish	[01] White
Location	Outdoor
Installation	Wall
Body material	Aluminum
Diffuser material	Opal polycarbonate
ETIM class	EC0028g2
EAN	8435256522921

**LIGHT SOURCES AND BEAMS**

Sources	E27 LED Bulb/TC-TSE/HAL 42W max.
Lamp included	No
Beam	Semi-direct

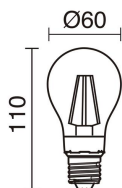
**TECHNICAL DATA**

Dimensions	Diameter x Length (mm): 280 x 103
IP	IP65
IK	08
Corrosion resistance	Yes
Protection class	Class I
Frequency	50/60 Hz
Input voltage	110-240V AC V
Auxiliary gear	Without equipment, not needed
Glow wire temperature	850.0 °C
Weight	1.0 Kg
Cable outlets	2
ECORAE category I	CAT-B
ECORAE I	0.5

# DAIRA 575C-G05X1A-01

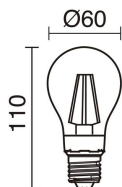
Wall Bracket DAIRA IP65 E27 42W White

## RECOMMENDED ACCESSORIES



**632C-L0506B-01**  
Lamp LED FILAMENT E27 LED  
Bulb 6W 800lm CRI80 2700K 360°

Input voltage	110-240V AC
Frequency	50/60
Wattage (W)	6.0
IP	IP20
Protection class	Class I



**632C-L0506B-02**  
Lamp LED FILAMENT E27 LED  
Bulb 6W 800lm 4000K 360°

Input voltage	110-240V AC
Frequency	50/60
Wattage (W)	6.0
IP	IP20
Protection class	Class I

# DAIRA 575C-G05X1A-01

Wall Bracket DAIRA IP65 E27 42W White

**PRODUCTS OF THE SAME FAMILY**

---



Daira D280 No grid



Daira D380 No grid



Daira D380 No grid Emerg.