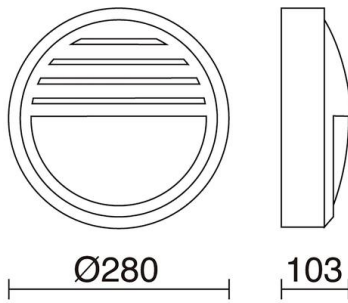


DAIRA 575C-G05X1A-04

Wall Bracket DAIRA IP65 E27 42W Anthracite



Daira family of wall lights is made of aluminum with IP65, available in two versions with grille and without, also in three colors white, gray and brown. It is suitable for ceiling and wall installation. Thanks to its universal design it is suitable for illuminating outdoor residential areas.

GENERAL DATA

Category	Surface
Family	Daira
Finish	[04] Anthracite
Location	Outdoor
Installation	Wall
Body material	Aluminum
Diffuser material	Opal polycarbonate
ETIM class	EC0028g2
EAN	8435256523270

LIGHT SOURCES AND BEAMS

Sources	E27 LED Bulb/TC-TSE/HAL 42W max.
Lamp included	No
Beam	Semi-direct

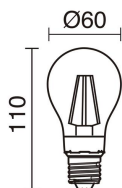
TECHNICAL DATA

Dimensions	Diameter x Length (mm): 280 x 103
IP	IP65
IK	08
Corrosion resistance	Yes
Protection class	Class I
Frequency	50/60 Hz
Input voltage	110-240V AC V
Auxiliary gear	Without equipment, not needed
Glow wire temperature	850.0 °C
Weight	1.0 Kg
Cable outlets	2
ECORAE category I	CAT-B
ECORAE I	0.5

DAIRA 575C-G05X1A-04

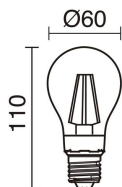
Wall Bracket DAIRA IP65 E27 42W Anthracite

RECOMMENDED ACCESSORIES



632C-L0506B-01
Lamp LED FILAMENT E27 LED
Bulb 6W 800lm CRI80 2700K 360°

Input voltage	110-240V AC
Frequency	50/60
Wattage (W)	6.0
IP	IP20
Protection class	Class I



632C-L0506B-02
Lamp LED FILAMENT E27 LED
Bulb 6W 800lm 4000K 360°

Input voltage	110-240V AC
Frequency	50/60
Wattage (W)	6.0
IP	IP20
Protection class	Class I

DAIRA 575C-G05X1A-04

Wall Bracket DAIRA IP65 E27 42W Anthracite

PRODUCTS OF THE SAME FAMILY



Daira D280 No grid



Daira D380 No grid



Daira D380 No grid Emerg.