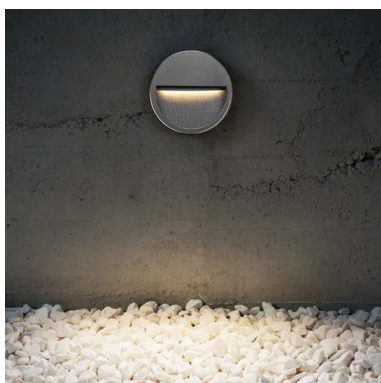
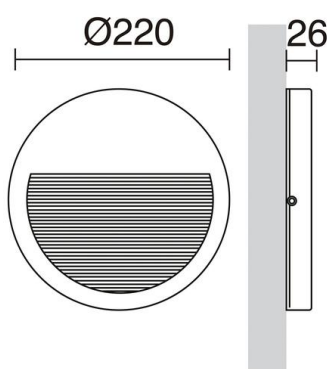


SLIM 580D-L0110B-03

Asymmetric Wall Bracket SLIM IP65 LED SMD 9W 1100lm CRI90 3000K 77°
Grey



GENERAL DATA

| | |
|-------------------|---------------|
| Category | Surface |
| Family | Slim |
| Finish | [03] Grey |
| Location | Outdoor |
| Installation | Wall |
| Body material | Aluminum |
| Diffuser material | Frosted glass |
| Frame material | Aluminum |
| ETIM class | EC000481 |
| EAN | 8433264119348 |

LIGHT SOURCES AND BEAMS

| | |
|-------------------|------------------------------------|
| Sources | LED SMD 9W max. 1100lm 3000K CRI90 |
| Energy efficiency | E |
| Beam | 77° - Direct asymmetric |

TECHNICAL DATA

| | |
|-----------------------------|---------------------------------|
| Dimensions | Diameter x Width (mm): 220 x 25 |
| IP | IP65 |
| IK | 09 |
| Corrosion resistance | Yes |
| Protection class | Class I |
| Frequency | 50/60 Hz |
| Input voltage | 220-240V AC V |
| Auxiliary gear | Electronic |
| Surface temperature | 30.0 °C |
| Operating temperature range | -20 - 35 °C |
| Lifetime | 60,000 h |
| LED lifetime L | 80 |
| LED lifetime B | 10 |
| Weight | 1.0 Kg |
| Cable outlets | 1 |
| ECORAE category I | LED-B |
| ECORAE I | 0.5 |

SLIM 580D-L0110B-03 Asymmetric Wall Bracket SLIM IP65 LED SMD 9W 1100lm CRI90 3000K 77°
Grey

PRODUCTS OF THE SAME FAMILY



580B-L0210B



580D-L0210B



Slim Round
Reces M



Slim Round
Reces S



Slim Round
Surf S



Slim Square
Reces M



Slim Square
Reces S



Slim Square
Surf M



Slim Square
Surf S