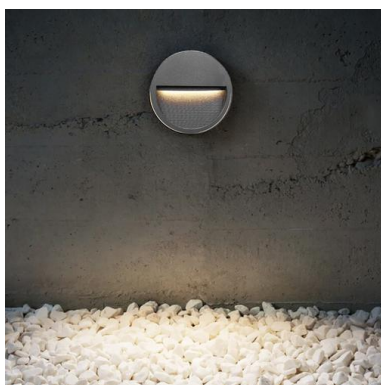
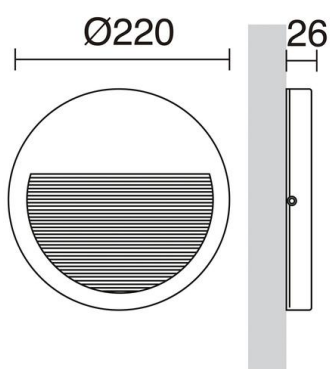


SLIM 580D-L0110B-04

Asymmetric Wall Bracket SLIM IP65 LED SMD 9W 1100lm CRI90 3000K 77° Anthracite



GENERAL DATA

Category	Surface
Family	Slim
Finish	[04] Anthracite
Location	Outdoor
Installation	Wall
Body material	Aluminum
Diffuser material	Frosted glass
Frame material	Aluminum
ETIM class	EC000481
EAN	8433264119270

LIGHT SOURCES AND BEAMS

Sources	LED SMD 9W max. 1100lm 3000K CRI90
Energy efficiency	E
Beam	77° - Direct asymmetric

TECHNICAL DATA

Dimensions	Diameter x Width (mm): 220 x 25
IP	IP65
IK	09
Corrosion resistance	Yes
Protection class	Class I
Frequency	50/60 Hz
Input voltage	220-240V AC V
Auxiliary gear	Electronic
Surface temperature	30.0 °C
Operating temperature range	-20 - 35 °C
Lifetime	60,000 h
LED lifetime L	80
LED lifetime B	10
Weight	1.0 Kg
Cable outlets	1
ECORAE category I	LED-B
ECORAE I	0.5

SLIM 580D-L0110B-04 Asymmetric Wall Bracket SLIM IP65 LED SMD 9W 1100lm CRI90 3000K 77° Anthracite

PRODUCTS OF THE SAME FAMILY



580B-L0210B



580D-L0210B



Slim Round Reces M



Slim Round Reces S



Slim Round Surf S



Slim Square Reces M



Slim Square Reces S



Slim Square Surf M



Slim Square Surf S