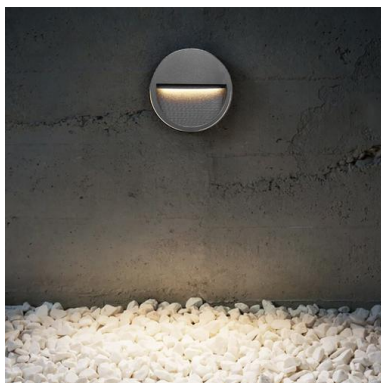
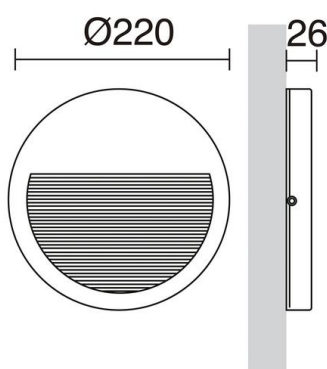


SLIM 580D-L0210B-03

Asymmetric Wall Bracket SLIM IP65 LED SMD 9W 1167lm CRI90 4000K 77°
Grey



GENERAL DATA

Category	Surface
Family	Slim
Finish	[03] Grey
Location	Outdoor
Installation	Wall
Body material	Aluminum
Diffuser material	Frosted glass
Frame material	Aluminum
ETIM class	EC000481
EAN	8433264119249

LIGHT SOURCES AND BEAMS

Sources	LED SMD 9W max. 1167lm 4000K CRI90
Energy efficiency	E
Beam	77° - Direct asymmetric

TECHNICAL DATA

Dimensions	Diameter x Width (mm): 220 x 25
IP	IP65
IK	09
Corrosion resistance	Yes
Protection class	Class I
Frequency	50/60 Hz
Input voltage	220-240V AC V
Auxiliary gear	Electronic
Surface temperature	30.0 °C
Operating temperature range	-20 - 35 °C
Lifetime	60,000 h
LED lifetime L	80
LED lifetime B	10
Weight	1.0 Kg
Cable outlets	1
ECORAE category I	LED-B
ECORAE I	0.5

SLIM 580D-L0210B-03 Asymmetric Wall Bracket SLIM IP65 LED SMD 9W 1167lm CRI90 4000K 77°
Grey

PRODUCTS OF THE SAME FAMILY



580B-L0210B



580D-L0210B



Slim Round
Reces M



Slim Round
Reces S



Slim Round
Surf S



Slim Square
Reces M



Slim Square
Reces S



Slim Square
Surf M



Slim Square
Surf S