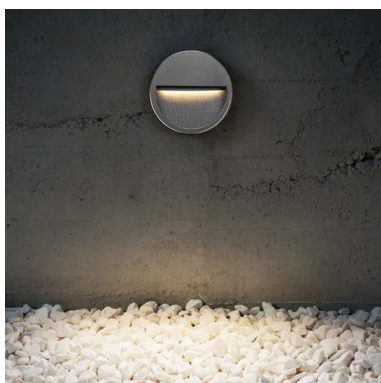
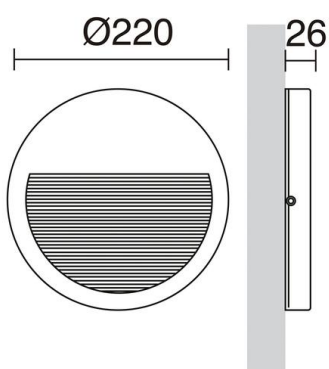


**SLIM** 580D-L0210B-04

Asymmetric Wall Bracket SLIM IP65 LED SMD 9W 1167lm CRI90 4000K 77° Anthracite



Slim family of wall lights is made of aluminum in a square shape with IP65, available in two colors gray and anthracite and in two sizes. It emits the light in 3000K color temperature. It is suitable for lighting outdoor busy areas.

**GENERAL DATA**

Category	Surface
Family	Slim
Finish	[04] Anthracite
Location	Outdoor
Installation	Wall
Body material	Aluminum
Diffuser material	Frosted glass
Frame material	Aluminum
ETIM class	EC000481
EAN	8433264119256

**LIGHT SOURCES AND BEAMS**

Sources	LED SMD 9W max. 1167lm 4000K CRI90
Energy efficiency	E
Beam	77° - Direct asymmetric

**TECHNICAL DATA**

Dimensions	Diameter x Width (mm): 220 x 25
IP	IP65
IK	09
Corrosion resistance	Yes
Protection class	Class I
Frequency	50/60 Hz
Input voltage	220-240V AC V
Auxiliary gear	Electronic
Surface temperature	30.0 °C
Operating temperature range	-20 - 35 °C
Lifetime	60,000 h
LED lifetime L	80
LED lifetime B	10
Weight	1.0 Kg
Cable outlets	1
ECORAE category I	LED-B
ECORAE I	0.5

**SLIM** 580D-L0210B-04 Asymmetric Wall Bracket SLIM IP65 LED SMD 9W 1167lm CRI90 4000K 77° Anthracite

**PRODUCTS OF THE SAME FAMILY**



580B-L0210B



580D-L0110B



Slim Round Reces M



Slim Round Reces S



Slim Round Surf S



Slim Square Reces M



Slim Square Reces S



Slim Square Surf M



Slim Square Surf S