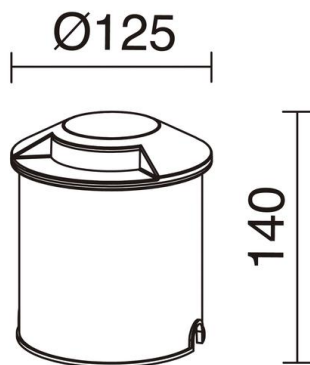
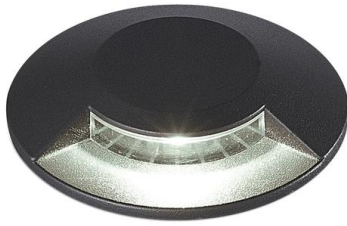


MARTINA 645A-L0207A-04 Recessed floor 1 emission MARTINA IP67 LED SMD 7W 744lm CRI80 4000K 110° Anthracite

Martina recessed wall lights, made of aluminum in anthracite color with a degree of protection IP67, available in two versions, single emission and double emission. The embedment depth is 11cm with the emission temperature of 4000K. These luminaires are designed to illuminate the pathways of outdoor residential and commercial spaces.



GENERAL DATA

Category	Recessed
Family	Martina
Finish	[04] Anthracite
Location	Outdoor
Installation	Floor
Body material	Aluminum
Diffuser material	Transparent polycarbonate
Frame material	Aluminum
ETIM class	EC000758
EAN	8435258621639

LIGHT SOURCES AND BEAMS

Sources	LED SMD 7W max. 744lm 4000K CRI80
Total flux	67 lm
Energy efficiency	F
Beam	110° - Indirect asymmetric

TECHNICAL DATA

Dimensions	Diameter x Height (mm): 125 x 140
IP	IP67
Static pressure	500.0 Kg
Protection class	Class I
Frequency	50/60 Hz
Input voltage	110-240V AC V
Output current	700 mA
Power factor	8.0
Auxiliary equipment brands	HEP
Surface temperature	62.0 °C
Lifetime	26,300 h
LED lifetime L	80
LED lifetime B	50
Weight	0.9875 Kg
Cable outlets	2
Lead wire length	180.0 mm
Cut hole box included	Yes
Cut hole dimensions	Diameter x Depth (mm): 118 x 116
ECORAE category I	LED-B
ECORAE I	0.5
Flammable surfaces	Yes

MARTINA

645A-L0207A-04 Recessed floor 1 emission MARTINA IP67 LED SMD 7W 744lm
CRI80 4000K 110° Anthracite

PRODUCTS OF THE SAME FAMILY



Martina 2 Beams