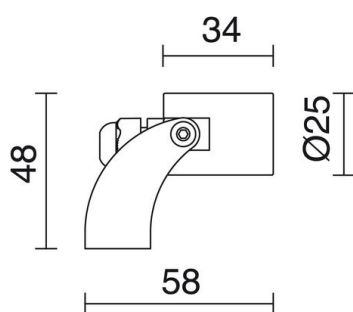


KA 666A-L0201H-43

 Spotlights / Base Spotlight / Spike KA IP67 LED COB 1W 130lm CRI80 4000K 30°
 180° Brushed inox


The KA projectors are made of stainless steel and transparent glass with IP67, are suitable for installations on the floor and on the wall. They have the maximum inclination angle of 180° and is available in three sizes. It is recommended to illuminate the passage areas, gardens, terraces, in addition, are suitable for installations on the surfaces with saline atmosphere.

GENERAL DATA

Category	Spotlights
Family	Ka
Finish	[43] Brushed inox
Location	Outdoor
Installation	Floor, Wall
Body material	Inox aisi 316L
Diffuser material	Transparent glass
ETIM class	EC001744
EAN	8433264006945

LIGHT SOURCES AND BEAMS

Sources	LED COB 1W max. 130lm 4000K CRI80
Energy efficiency	A++, A+, A
Beam	30° - Direct symmetric

TECHNICAL DATA

Dimensions	Height x Diameter x Length (mm): 48 x 25 x 58
IP	IP67
IK	08
Corrosion resistance	Yes
Protection class	Class III
Auxiliary gear	Without equipment, needed
Auxiliary equipment brand	TCI
Lifetime	25,000 h
LED lifetime L	80
LED lifetime B	20
Weight	0.2 Kg
Cable outlets	1
Lead wire length	500.0 mm
Tilt angle	180.0 °
ECORAE category I	LED-A
ECORAE I	0.25
Periodic maintenance	Yes

NOTES

Luminaire suitable for installation in environments with saline atmosphere

KA 666A-L0201H-43 Spotlights / Base Spotlight / Spike KA IP67 LED COB 1W 130lm CRI80 4000K 30°
180° Brushed inox

RECOMMENDED ACCESSORIES**B02A-X3317H-01**

Power supplies ALIMENTADORES

White

Input voltage	110-240V AC
Frequency	50/60
Output current (mA)	350
Wattage (W)	17.0
IP	IP20
Protection class	Class II

KA 666A-L0201H-43 Spotlights / Base Spotlight / Spike KA IP67 LED COB 1W 130lm CRI80 4000K 30°
180° Brushed inox

PRODUCTS OF THE SAME FAMILY



Ka L



Ka M