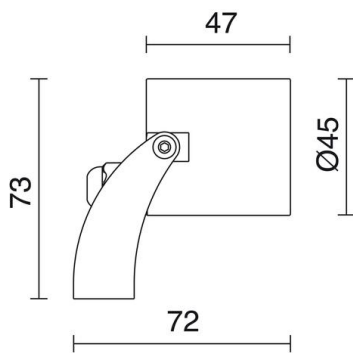


**KA** 666C-L0102J-43

Spotlights / Base Spotlight / Spike KA IP67 LED COB 2W 210lm CRI80 3000K 30°  
180° Brushed inox



The KA projectors are made of stainless steel and transparent glass with IP67, are suitable for installations on the floor and on the wall. They have the maximum inclination angle of 180° and is available in three sizes. It is recommended to illuminate the passage areas, gardens, terraces, in addition, are suitable for installations on the surfaces with saline atmosphere.

**GENERAL DATA**

Category	Spotlights
Family	Ka
Finish	[43] Brushed inox
Location	Outdoor
Installation	Floor, Wall
Body material	Inox aisi 316L
Diffuser material	Transparent glass
ETIM class	EC001744
EAN	8435256541212

**LIGHT SOURCES AND BEAMS**

Sources	LED COB 2W max. 210lm 3000K CRI80
Energy efficiency	A++, A+, A
Beam	30° - Direct symmetric

**TECHNICAL DATA**

Dimensions	Height x Diameter x Length (mm): 73 x 45 x 72
IP	IP67
IK	08
Corrosion resistance	Yes
Protection class	Class III
Auxiliary gear	Without equipment, needed
Auxiliary equipment brand	TCI
Lifetime	25,000 h
LED lifetime L	80
LED lifetime B	20
Weight	0.5 Kg
Cable outlets	1
Lead wire length	500.0 mm
Tilt angle	180.0 °
ECORAE category I	LED-A
ECORAE I	0.25
Periodic maintenance	Yes

**NOTES**

Luminaire suitable for installation in environments with saline atmosphere

**KA** 666C-L0102J-43Spotlights / Base Spotlight / Spike KA IP67 LED COB 2W 210lm CRI80 3000K 30°  
180° Brushed inox**RECOMMENDED ACCESSORIES****B02A-X3317J-01**

Power supplies ALIMENTADORES

White

Input voltage 110-240V AC

Frequency 50/60

Output current (mA) 700

Wattage (W) 17.0

IP IP20

Protection class Class II

**KA** 666C-L0102J-43 Spotlights / Base Spotlight / Spike KA IP67 LED COB 2W 210lm CRI80 3000K 30°  
180° Brushed inox

**PRODUCTS OF THE SAME FAMILY**

---



Ka M



Ka S