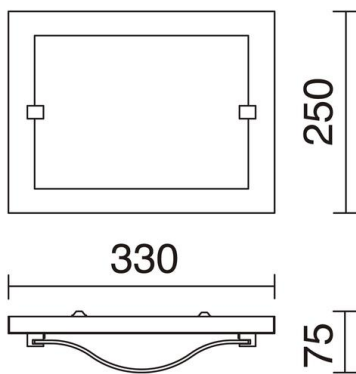


# FINN 690A-L0112A-35

Wall Bracket FINN LED SMD 12W 1200lm CRI80 3000K Satin nickel

FINN is a wall light LED rectangular shape made by a combination of steel and glass. This lamp is manufactured by a combination of steel and glass and satin nickel finish. The FINN apply is the ideal luminaire for decoration and LED lighting indoors in hotels and homes.



## GENERAL DATA

Category	Surface
Family	Finn
Finish	[35] Satin nickel
Location	Indoor
Installation	Wall
Body material	Steel
Diffuser material	Frosted glass
ETIM class	EC0028g2
EAN	8435256542547

## LIGHT SOURCES AND BEAMS

Sources	LED SMD 12W max. 1200lm 3000K CRI80
Energy efficiency	A++, A+, A, B, C, D, E
Beam	Diffuse

## TECHNICAL DATA

Dimensions	Height x Width x Length (mm): 250 x 330 x 75
IP	IP20
Protection class	Class I
Frequency	50/60 Hz
Input voltage	110-240V AC V
Lifetime	40,000 h
LED lifetime L	80
LED lifetime B	50
Weight	1.6 Kg
ECORAE category I	LED-B