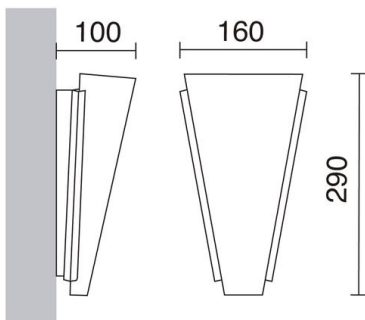


MENKAR 694A-L0112A-35 Wall Bracket MENKAR LED SMD 12W 1200lm CRI80 3000K Satin nickel



MENKAR is an LED wall lamp designed in view of the lighting and interior decoration of homes and hotels. This family of LED sconces has been manufactured in nickel finish combines satin glass triangular design in order to improve the diffusion of light in residential surfaces.

GENERAL DATA

Category	Surface
Family	Menkar
Finish	[35] Satin nickel
Location	Indoor
Installation	Wall
Body material	Steel
Diffuser material	Opalized crystal
ETIM class	EC0028g2
EAN	8435256542622

LIGHT SOURCES AND BEAMS

Sources	LED SMD 12W max. 1200lm 3000K CRI80
Energy efficiency	F
Beam	Diffuse

TECHNICAL DATA

Dimensions	Length x Width x Height (mm): 160 x 100 x 290
IP	IP20
Protection class	Class I
Frequency	50/60 Hz
Input voltage	110-240V AC V
Output current	350 mA
Power factor	0.5
Lifetime	40.000 h
LED lifetime L	80
LED lifetime B	50
Weight	0.9 Kg
ECORAE category I	LED-B

NOTES

Opción 220-240V: ref. 694A-L0112B-35 (consultar disponibilidad)