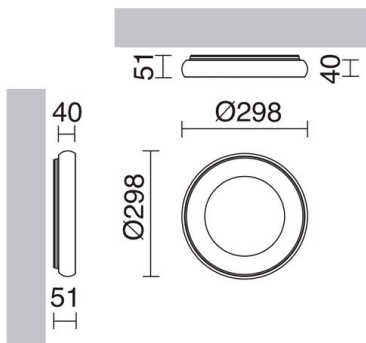


FRED 715A-L0125A-02 Wall Bracket/ Ceiling Fixture FRED LED SMD 25W 1850lm CRI80 3000K 120° - Black

FRED is a family of practical and functional LED lighting that adapts to any kind of current modern space and environment, whether a public or private space. The FRED luminaires have been made from two versions, one shaped surface luminaire roofing and other shaped ceiling lamp or pendant lamp, with two and three sizes, respectively.



GENERAL DATA

Category	Surface
Family	Fred
Finish	[o2] Black
Location	Indoor
Installation	Ceiling, Wall
Body material	Aluminum
Diffuser material	Opal polycarbonate
ETIM class	EC0028g2
EAN	8435256543179

LIGHT SOURCES AND BEAMS

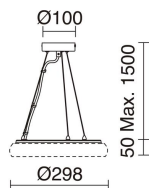
Sources	LED SMD 25W max. 1850lm 3000K CRI80
Energy efficiency	G
Beam	120° - Direct symmetric

TECHNICAL DATA

Dimensions	Height x Width (mm): 51 x 298
IP	IP40
Protection class	Class I
Frequency	50/60 Hz
Input voltage	110-240V AC V
Power factor	0.9
Auxiliary gear	Electronic
Sensors	-
Lifetime	40,000 h
LED lifetime L	80
LED lifetime B	50
Weight	1.0 Kg
ECORAAE category I	LED-B
ECORAAE I	0.4
Flammable surfaces	Yes

FRED 715A-L0125A-02 Wall Bracket/ Ceiling Fixture FRED LED SMD 25W 1850lm CRI80 3000K 120° - Black

RECOMMENDED ACCESSORIES



A20A-715-02
Suspension kit FRED Black

Material	Steel
Finish	[02] Black



A20B-715-01
Surface Trim FRED White

Material	Steel
Finish	[01] White

FRED

715A-L0125A-02 Wall Bracket/ Ceiling Fixture FRED LED SMD 25W 1850lm CRI80 3000K 120° - Black

COMPLEMENTARY IMAGES



PRODUCTS OF THE SAME FAMILY



Fred L