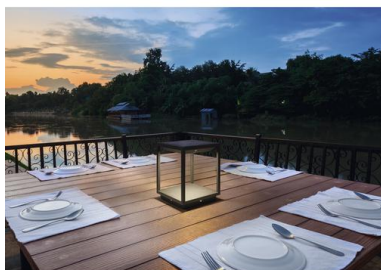
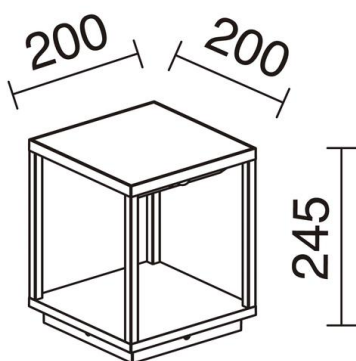


SOLEI 853B-L01X1K-04

Bollard SOLEI IP54 LED SMD 3.50W 300lm CRI80 3000K 35° Twilight
245mm Anthracite

The family of portable solar Solei, is made of aluminum, anthracite finish, with IP54 and 3000K color temperature. It is available in two 24 cm and 50cm sizes. Illuminate without additional load for 12-15 hours. It includes a base to anchor to the ground. It is a solar luminaire that illuminates the outside areas.



GENERAL DATA

Category	Bollards and columns
Family	Solei
Finish	[04] Anthracite
Location	Outdoor
Installation	Floor, Table lamp
Body material	Aluminum
Diffuser material	Transparent polycarbonate
ETIM class	EC000301
EAN	8435258618752

LIGHT SOURCES AND BEAMS

Sources	LED SMD 3,5W max. 300lm 3000K CRI80
Total flux	300 lm
Beam	35° - Direct symmetric

TECHNICAL DATA

Dimensions	Length x Width x Height (mm): 200 x 200 x 245
IP	IP54
Protection class	Class III
Auxiliary gear	Electronic
Sensors	Twilight
Rechargeable	Solar
Battery charge time	7.0 h
Battery autonomy	15.0 h
Lifetime	40.000 h
LED lifetime L	80
LED lifetime B	50
Weight	2.5 Kg
Anchorage included	Yes

NOTES

Loading time: 7h
 Full load duration: 15h
 Sensor level: 30 lux
 Thermal amplitude: 0-60 °C
 Base to anchor to the ground

SOLEI 853B-L01X1K-04

Bollard SOLEI IP54 LED SMD 3.50W 300lm CRI80 3000K 35° Twilight
245mm Anthracite

COMPLEMENTARY IMAGES



PRODUCTS OF THE SAME FAMILY



Solei S