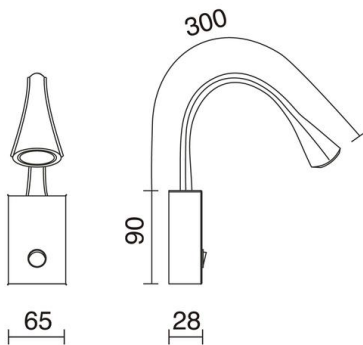


# SKIN 955A-L0102A-02

Reading Wall Bracket SKIN LED SMD 2W 160lm CRI80 3000K Black



LED lights Skin family have a very original design, are made of steel and natural leather available in four colors: white, black, red and brown. They are very light, save energy and have an angle of rotation of 360°. It is a perfect choice for any bedroom, study room or even the living room.

### GENERAL DATA

Category	Surface
Family	Skin
Finish	[02] Black
Location	Indoor
Installation	Wall
Body material	Steel, Piel
Diffuser material	Transparent methacrylate
ETIM class	EC001744
EAN	8433264113162

### LIGHT SOURCES AND BEAMS

Sources	LED SMD 2W max. 160lm 3000K CRI80
Energy efficiency	G
Beam	Direct symmetric

### TECHNICAL DATA

Dimensions	Length x Maximum height x Width (mm): 60 x 390 x 28
IP	IP20
Protection class	Class I
Frequency	50/60 Hz
Input voltage	110-240V AC V
Output current	600 mA
Auxiliary gear	Electronic
Power switches	1
Lifetime	40.000 h
LED lifetime L	80
LED lifetime B	50
Weight	0.448 Kg
Rotation angle	360.0 °
ECORAE category I	LED-A

# SKIN 955A-L0102A-02

Reading Wall Bracket SKIN LED SMD 2W 160lm CRI80 3000K Black

## COMPLEMENTARY IMAGES

---

