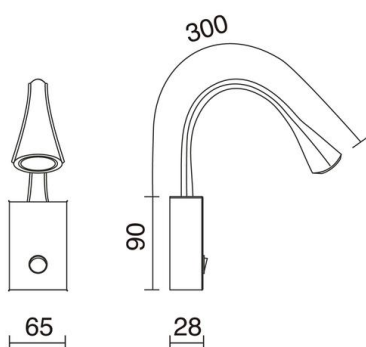
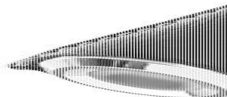


SKIN 955A-L0102A-07

Reading Wall Bracket SKIN LED SMD 2W 160lm CRI80 3000K Red

LED lights Skin family have a very original design, are made of steel and natural leather available in four colors: white, black, red and brown. They are very light, save energy and have an angle of rotation of 360°. It is a perfect choice for any bedroom, study room or even the living room.



GENERAL DATA

Category	Surface
Family	Skin
Finish	[07] Red
Location	Indoor
Installation	Wall
Body material	Steel, Piel
Diffuser material	Transparent methacrylate
ETIM class	EC001744
EAN	8433264113179

LIGHT SOURCES AND BEAMS

Sources	LED SMD 2W max. 160lm 3000K CRI80
Energy efficiency	G
Beam	Direct symmetric

TECHNICAL DATA

Dimensions	Length x Maximum height x Width (mm): 60 x 390 x 28
IP	IP20
Protection class	Class I
Frequency	50/60 Hz
Input voltage	110-240V AC V
Output current	600 mA
Auxiliary gear	Electronic
Power switches	1
Lifetime	40.000 h
LED lifetime L	80
LED lifetime B	50
Weight	0.448 Kg
Rotation angle	360.0 °
ECORAE category I	LED-A

SKIN 955A-L0102A-07

Reading Wall Bracket SKIN LED SMD 2W 160lm CRI80 3000K Red

COMPLEMENTARY IMAGES

