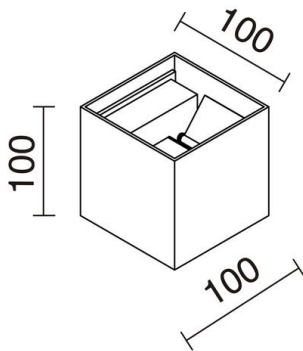


BEAM

960A-L3106B-04

Wall Bracket BEAM IP54 LED COB 2x3W 290lm CRI80 3000K 5°/130° up-down Grey

Apply Beam, available in white, black, gray and brown oxide finishes, is made of aluminum, with IP54 and emits the light in two directions with the color temperature of 3000K. In addition, through its internal fins it allows to graduate the opening of the light beam. It is suitable for illuminating the areas of exterior.



GENERAL DATA

Category	Surface
Family	Beam
Finish	1031 Grey
Location	Outdoor
Installation	Wall
Body material	Aluminum
Diffuser material	Transparent glass
EAN	8433264113742

LIGHT SOURCES AND BEAMS

Sources	LED COB 2x 3W max. 2x 290lm 3000K CRI80
Total flux	405 lm
Energy efficiency	G
Beams	5°/130° - Direct symmetric, Indirect symmetric

TECHNICAL DATA

Dimensions	Height x Width x Length (mm): 100 x 100 x 100
IP	IP54
Protection class	Class I
Frequency	50/60 Hz
Input voltage	220-240V AC V
Total wattage	7 W
Output current	300 mA
Power factor	0.5
Auxiliary gear	Driver integrado
Auxiliary equipment brand	Kegu
Operating temperature range	-10 - 40 °C
Lifetime	30.000 h
LED lifetime L	80
LED lifetime B	50
Weight	0.58 Kg
Cable outlets	1

NOTES

Through their internal fins it allows to graduate the opening of the light beam

BEAM

960A-L3106B-04 Wall Bracket BEAM IP54 LED COB 2x3W 290lm CRI80 3000K 5°/130° up-down Grey

COMPLEMENTARY IMAGES

