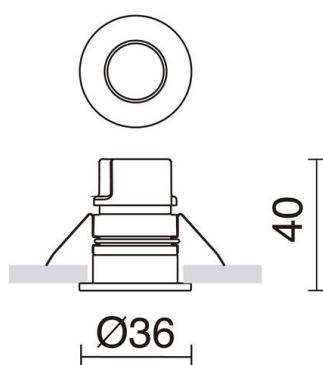


# NABUCO 980A-L0103H-30 Recessed ceiling NABUCO IP68 LED COB 3W 350lm CRI90 3000K 14° Stainless steel

The Nabuco family with a minimalist design and a depth of very small embedding, offer an excellent quality of light wherever they are placed. Its two sizes with different optics allow to illuminate green spaces or trails precisely, and enhance architectural elements. The high degree of protection IP68 and the finishing of the materials make these luminaires ideal for exterior applications for both installation on soil (with fittings) and ceiling.



### GENERAL DATA

Category	Recessed
Family	NABUCO
Finish	[30] Stainless steel
Location	Outdoor
Installation	Ceiling, Wall
Body material	Thermoplastic
Diffuser material	Transparent glass
Frame material	Inox aisi 316L
ETIM class	EC001744
EAN	8433264119119

### LIGHT SOURCES AND BEAMS

Sources	LED COB 3W max. 350lm 3000K CRI90
Total flux	315 lm
Energy efficiency	F
Beam	14° - Direct symmetric

### TECHNICAL DATA

Dimensions	Height x Diameter (mm): 40 x 36
IP	IP68
IK	10
Corrosion resistance	Yes
Protection class	Class III
Auxiliary gear	Without equipment, needed
Surface temperature	70.0 °C
Lifetime	50.000 h
LED lifetime L	80
LED lifetime B	10
Weight	0.25 Kg
Cable outlets	1
Lead wire length	500.0 mm
Cut hole dimensions	Diameter x Depth (mm): 32 x 40
ECORAE category I	LED-A
ECORAE I	0.25
Periodic maintenance	Yes
Photobiological risk group	RG1

**NABUCO** 980A-L0103H-30 Recessed ceiling NABUCO IP68 LED COB 3W 350lm CRI90 3000K  
14° Stainless steel

**PRODUCTS OF THE SAME FAMILY**

---



Nabuco Ceiling Nabuco Ground Nabuco Ground S  
L L