



Installation

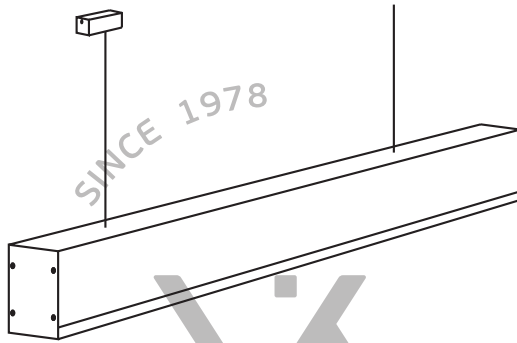
VK/04619/PE

SINCE 1978



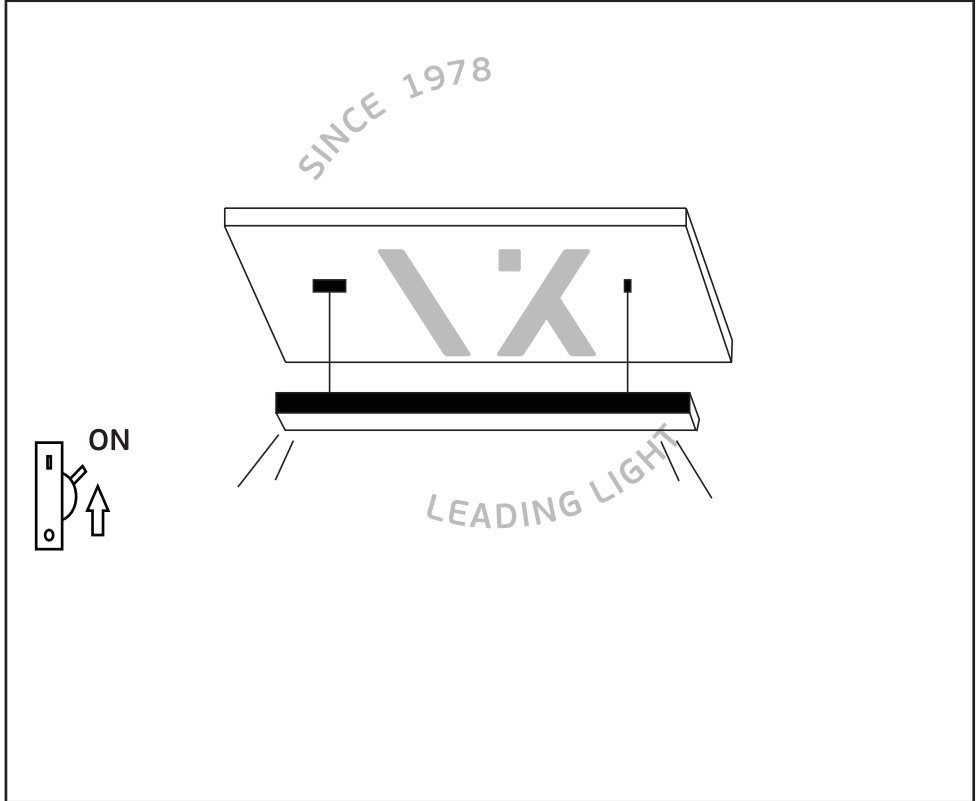
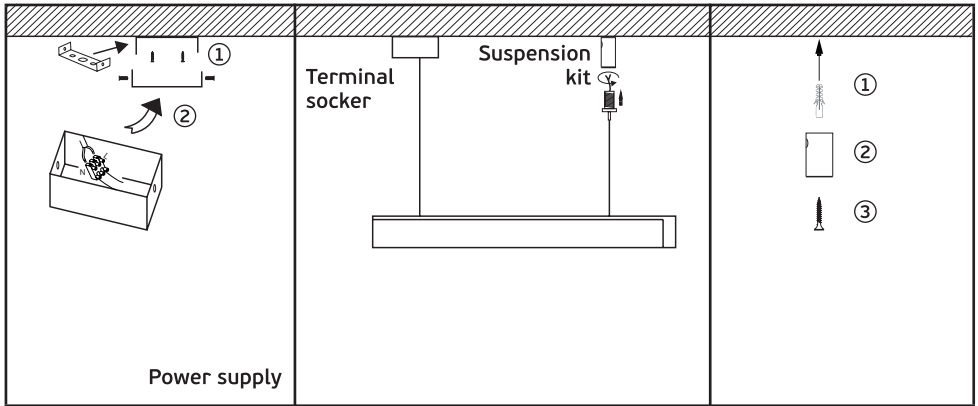
LEADING LIGHT

ATTENTION: For this operation you have to cut off the power!



Warnings

1. Input voltage and output power are indicated in the luminaries label.
2. Don't replace accessory when the luminaire is at work.
3. The objects must be 0.8m away from the luminaire.
4. If the plastic shield is damaged, contact the local distributor for replacement.
5. Don't install the luminaire into the damaged or deformed ceiling.
6. LED module is not replaceable.
7. Under no circumstances, can the luminaire be covered with heat insulation gasket or similar materials.
8. If the external cable of this luminaire is damaged, it must be exclusively replaced by the manufacturer or local distributor or a similar qualified person in order to avoid hazards.
9. The luminaire should only be used with its protective plastic shield.
10. This luminaire is suitable for indoor use only.
11. To avoid potential lamp failure, the luminaire should be switched off at least once a week.



VK Leading Light / Vaios I. Karakostas S.A. Imports - Exports Trade

A: 8 Aristotelous St, Tavros, 177 78 Athens, Greece T: +30 210 99 69 610-11, +30 210 34 58 072, +30 210 34 58 075 F: +30 210 99 58 374 E: info@vkleadinglight.gr
W: vkleadinglight.gr