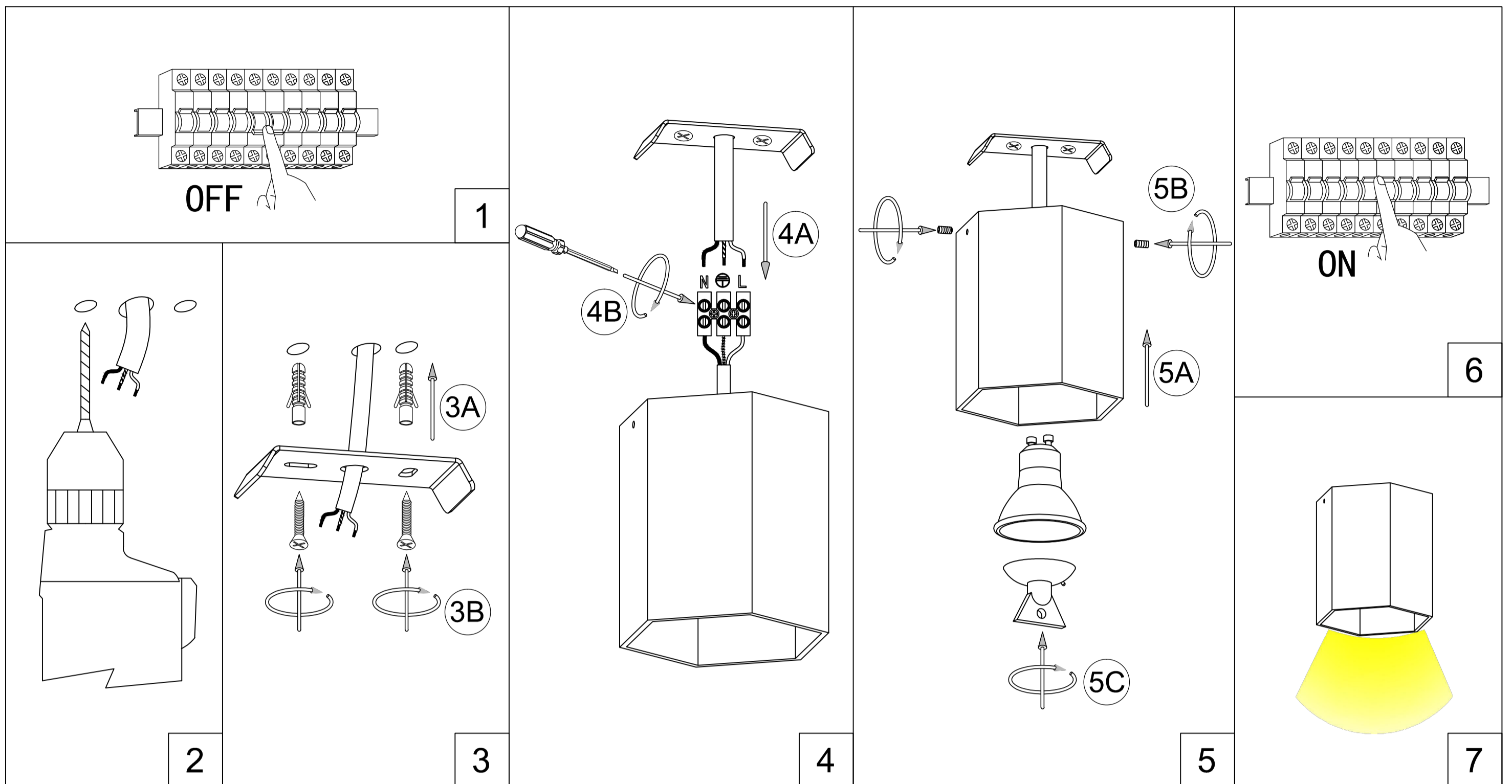
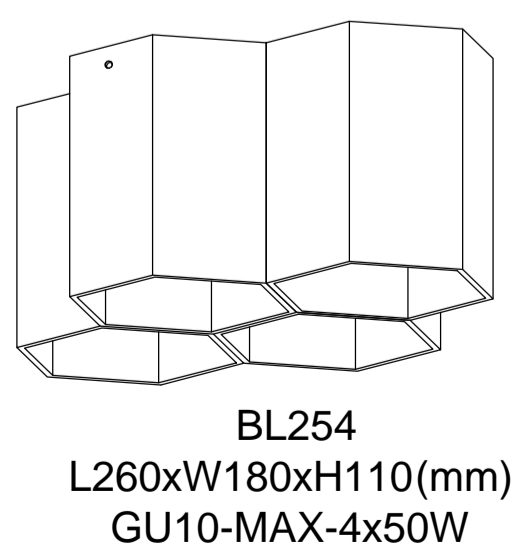
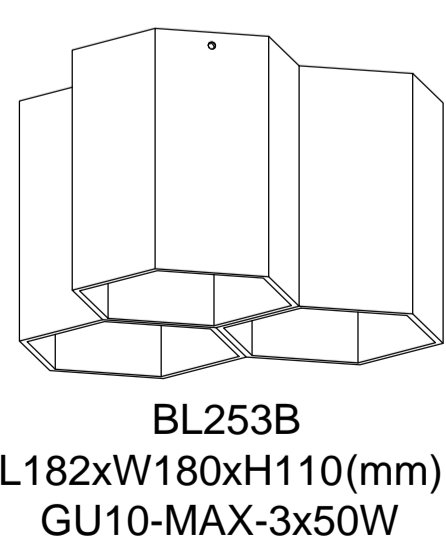
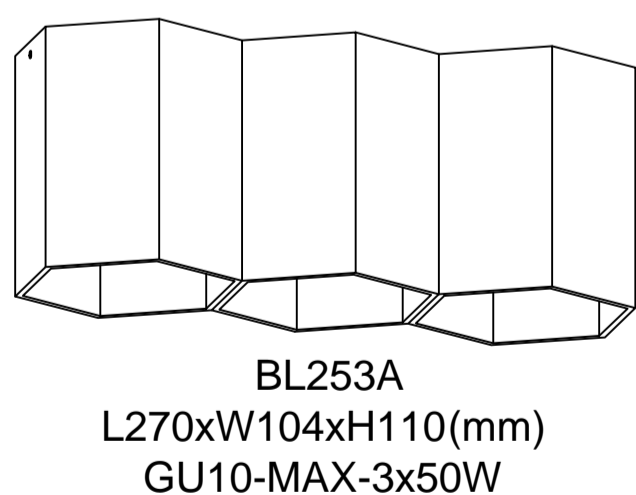
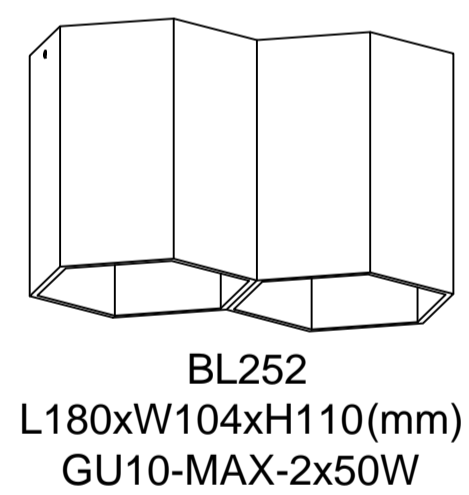
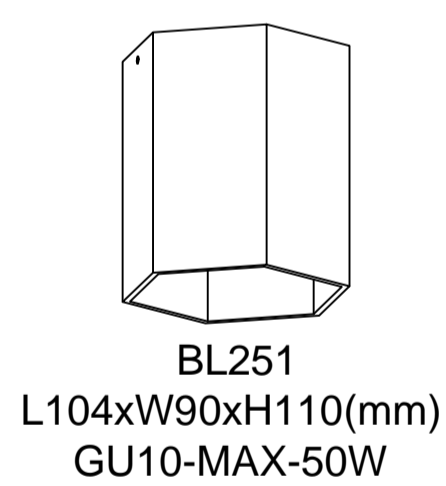
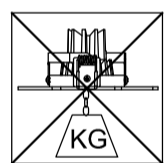
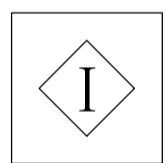
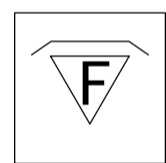
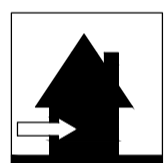
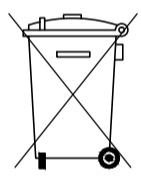


**BL251 BL252  
BL253A BL253B  
BL254**

**USER MANUAL  
SURFACE DOWNLIGHT**



- 1.SWITCH OFF MAIN
- 2.MAKE HOLE PATTERN
- 3.INSTALL THE BASE PLATE
- 4.CONNECT LAMP TO THE MAIN
- 5.DRIVE IN THE SCREWS UNTILL TIGHT
- 6.SWITCH ON THE MAIN AND LIGHT ON



Lamp: GU10 MAX-50W  
 Input: 220V-240V AC  
 Frequency: 50/60Hz  
 Watt: 50W/100W/150W/200W  
 Life span: 2,000hrs  
 Operating temp: -20°C--+40°C  
 Indoor use only  
 IP20  
 Dimmable: NO

Cautions: a.Installed by qualified electrician  
 b.Use only power-supply supplied  
 by manufacturer for products guarantee