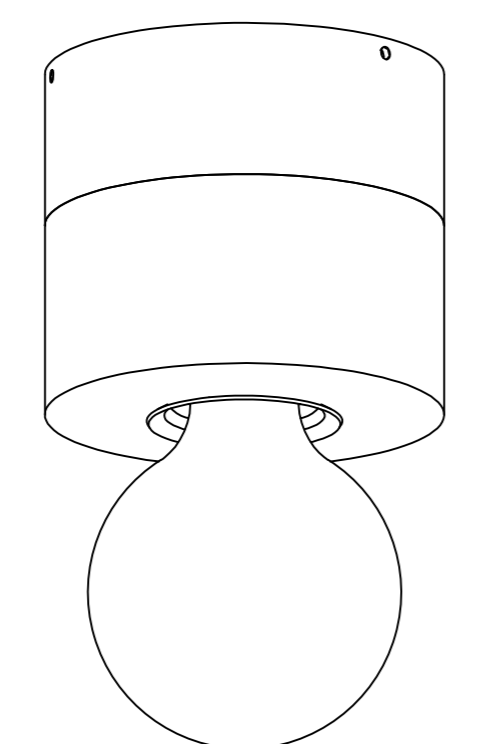
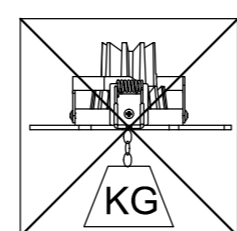
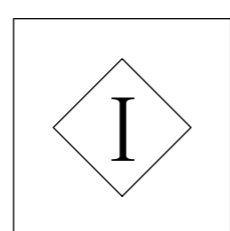
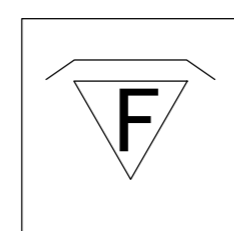
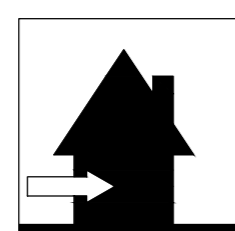
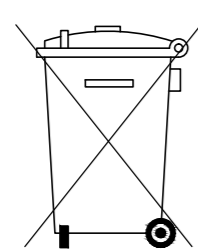


1. SWITCH OFF MAIN
2. MAKE HOLE PATTERN
3. INSTALL THE BASE PLATE
4. CONNECT LAMP TO THE MAIN
5. DRIVE IN THE SCREWS UNTILL TIGHT
6. SWITCH ON THE MAIN AND LIGHT ON



BL281  
D102xH180(mm)  
LED E27-4W

Lamp: E27 LED LAMP  
 Input: 220V-240V AC  
 Frequency: 50/60Hz  
 Watt: 4W  
 Life span: 2,000hrs  
 Operating temp: -20°C--+40°C  
 Indoor use only  
 IP20  
 Dimmable: NO

Cautions: a. Installed by qualified electrician  
 b. Use only power-supply supplied by manufacturer for products guarantee