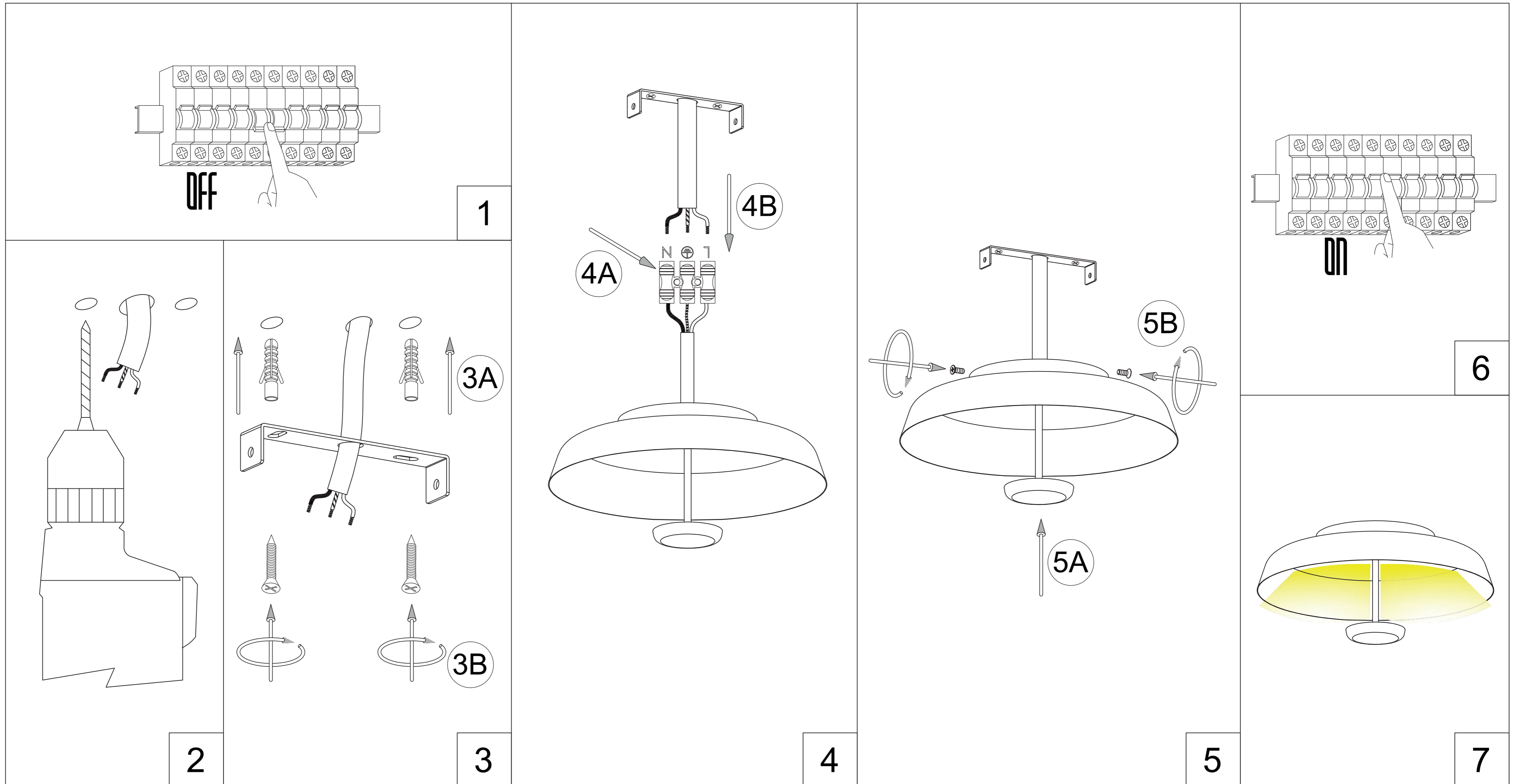
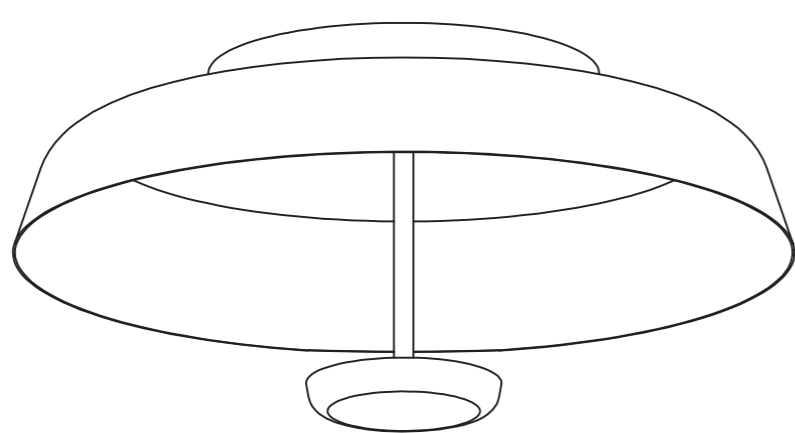
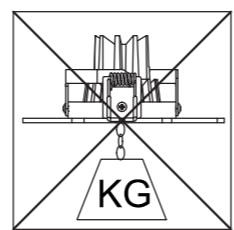
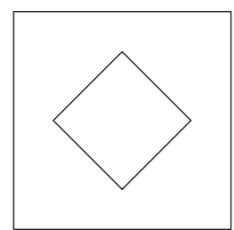
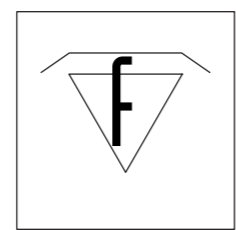
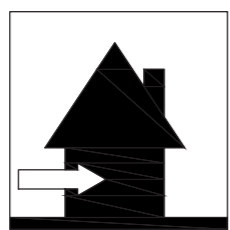
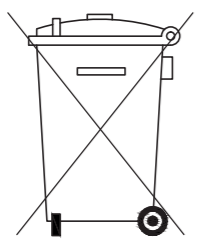


USER MANUAL

LED SURFACE DOWNLIGHT



- 1.SWITCH OFF MAIN
- 2.MAKE HOLE PATTERN
- 3.INSTALL THE BASE PLATE
- 4.CONNECT LAMP TO THE MAIN
- 5.DRIVE IN THE SCREWS UNTILL TIGHT
- 6.SWITCH ON THE MAIN AND LIGHT ON



D400xH185(mm)
LED-10W

Lamp: SMD-2835 LED
 Color: 2700K/3000K/4000K/6000K
 Color rendering: Ra80
 Input: 220V-240V AC
 Current: Constant 300mA
 Frequency: 50/60Hz
 Watt: 10W
 Life span: 20,000hrs
 Operating temp: -20 +40
 Indoor use only
 IP20
 Dimmable: NO

Cautions: a.Installed by qualified electrician
 b.Use only power-supply supplied
 by manufacturer for products guarantee