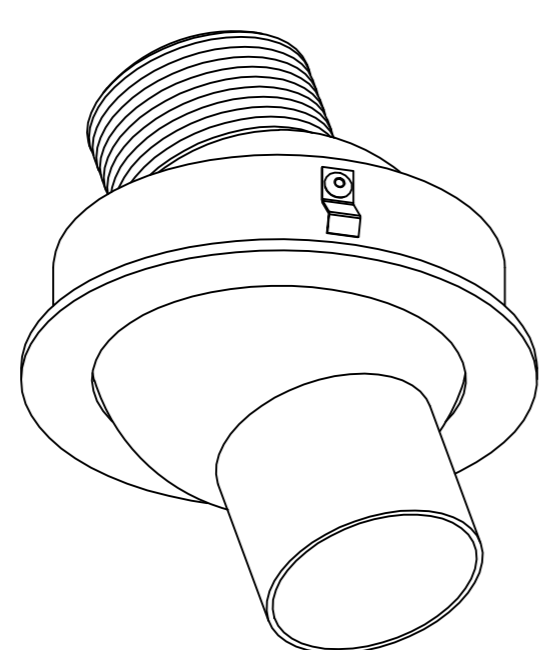
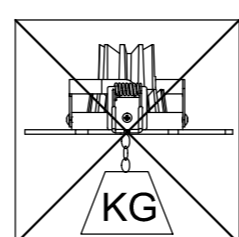
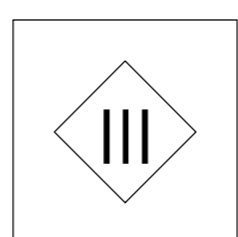
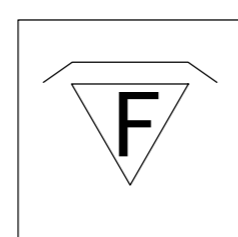
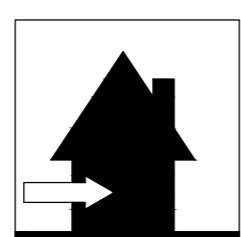
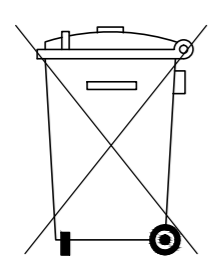


- 01.MAKE HOLE PATTERN
- 02.SWITCH OFF MAIN
- 03.CONNECT POWER-SUPPLY TO THE MAIN
- 04.HOLD SPRINGS
- 05.PUT LAMP INTO CEILING
- 06.SWITCH ON THE MAIN AND LIGHT ON



DC371  
D80xH103(mm)  
LED-6W

Lamp:CREE COB LED  
 Color: 2700K/3000K/4000K/6000K  
 Color rendering: Ra90  
 Input: 220V-240V AC  
 Current: Constant 600mA  
 Frequency: 50/60Hz  
 Watt: 6W  
 Life span: 20,000hrs  
 Operating temp: -20°C--+40°C  
 Indoor use only  
 IP20  
 Dimmable: NO

Cautions: a.Installed by qualified electrician  
 b.Use only power-supply supplied  
 by manufacturer for products guarantee