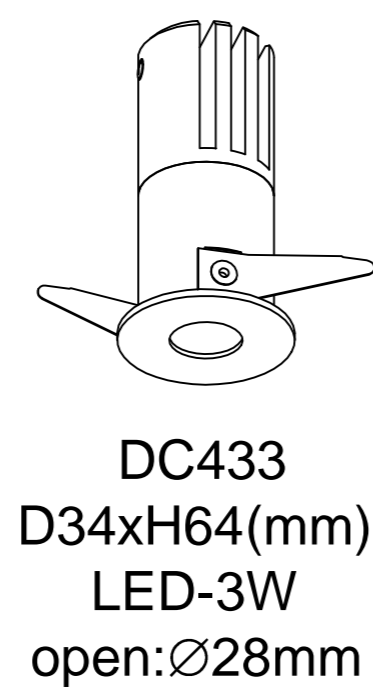
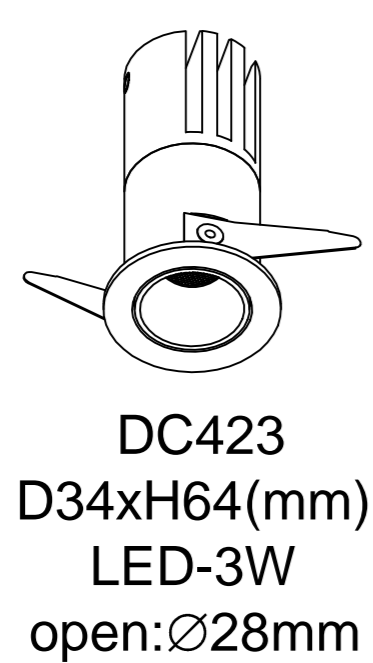
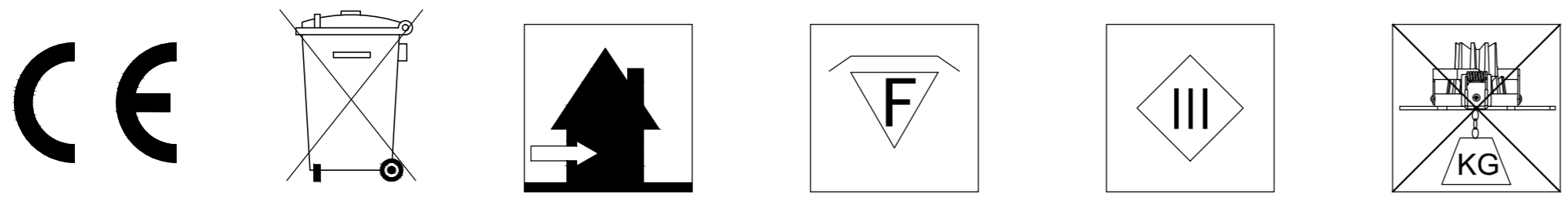


- 01.MAKE HOLE PATTERN
- 02.SWITCH OFF MAIN
- 03.CONNECT POWER-SUPPLY TO THE MAIN
- 04.CONNECT LAMP TO POWER SUPPLY
- 05.HOLD SPRINGS
- 06.PUT LAMP INTO CEILING
- 07.SWITCH ON THE MAIN AND LIGHT ON



Lamp : CREE COB LED
 Color : 2700K/3000K/4000K/6000K
 Color rendering : Ra90
 Input : 220V-240V AC
 Current : Constant 700mA
 Frequency : 50/60Hz
 Watt : 3W
 Life span : 50,000hrs
 Operating temp : -20°C--+40°C
 IP20
 Dimmable : NO

Cautions: a.Installed by qualified electrician
 b.Use only power-supply supplied
 by manufacturer for products guarantee