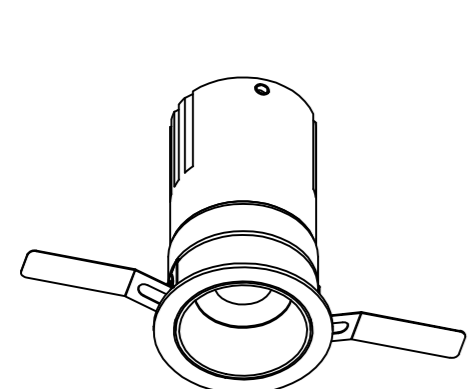
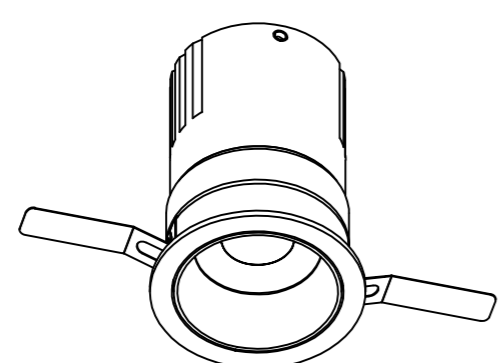


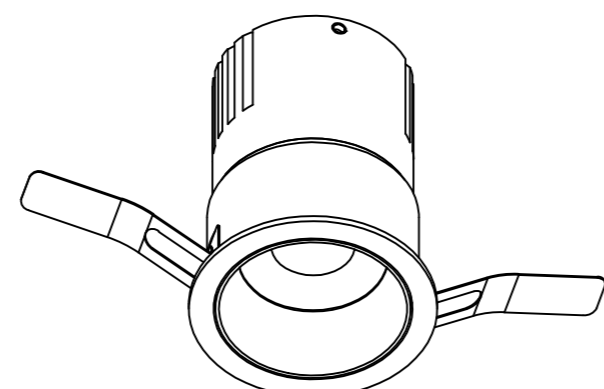
- 01.MAKE HOLE PATTERN
- 02.SWITCH OFF MAIN
- 03.CONNECT POWER-SUPPLY TO THE MAIN
- 04.CONNECT LAMP TO POWER SUPPLY
- 05.HOLD SPRINGS
- 06.PUT LAMP INTO CEILING
- 07.SWITCH ON THE MAIN AND LIGHT ON



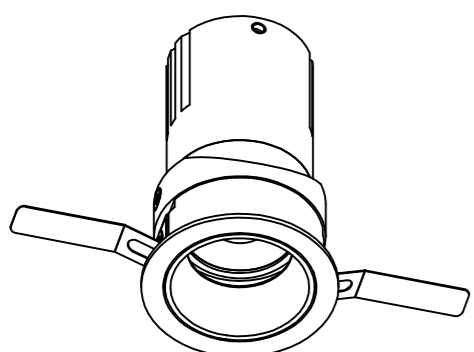
DC425  
D49xH80(mm)  
LED-7W  
open:Ø43mm



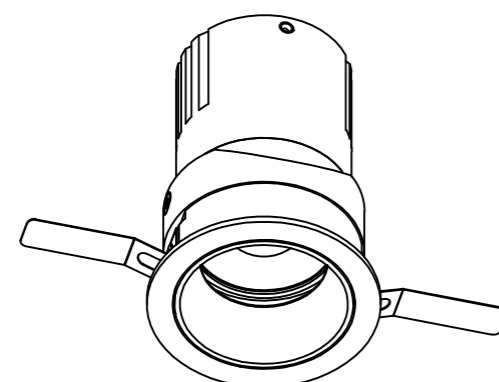
DC426  
D59xH82(mm)  
LED-9W  
open:Ø52mm



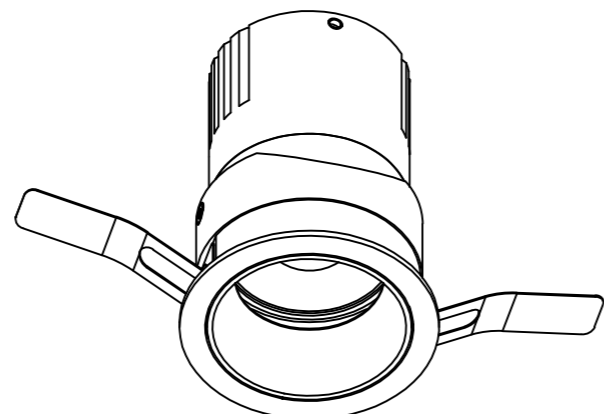
DC427  
D68xH88(mm)  
LED-12W  
open:Ø62mm



DC430  
D54xH87(mm)  
LED-7W  
open:Ø47mm



DC431  
D64xH90(mm)  
LED-9W  
open:Ø55mm



DC432  
D71xH97(mm)  
LED-12W  
open:Ø62mm

Lamp : CREE COB LED  
Color : 2700K/3000K/4000K/6000K  
Color rendering : Ra90  
Input : 220V-240V AC  
Current : Constant 700/250/300mA  
Frequency : 50/60Hz  
Watt : 7W/9W/12W  
Life span : 50,000hrs  
Operating temp : -20°C--+40°C  
IP20  
Dimmable : NO

Cautions: a.Installed by qualified electrician  
b.Use only power-supply supplied  
by manufacturer for products guarantee