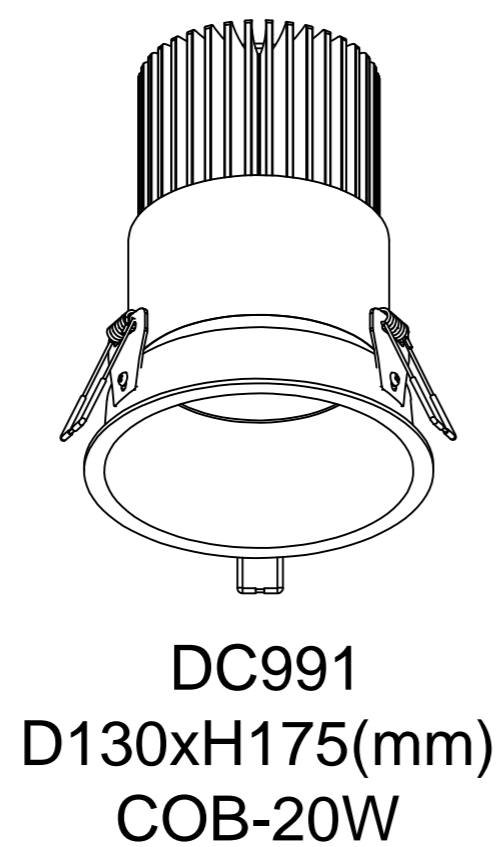
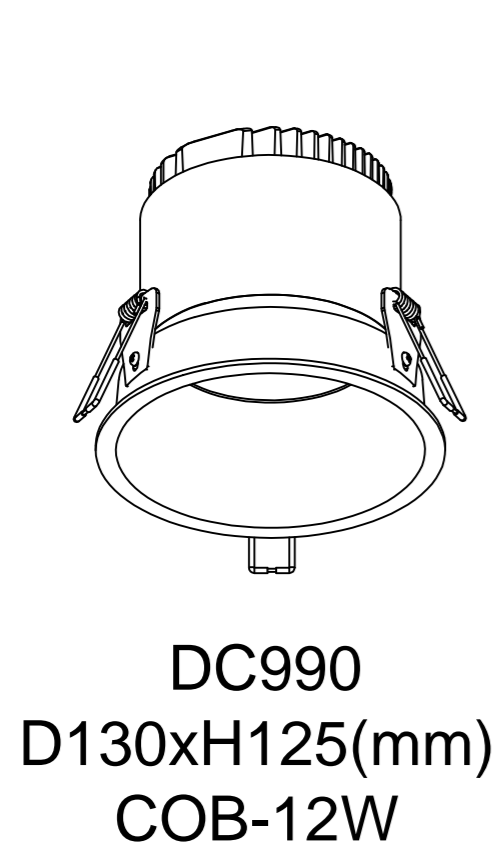
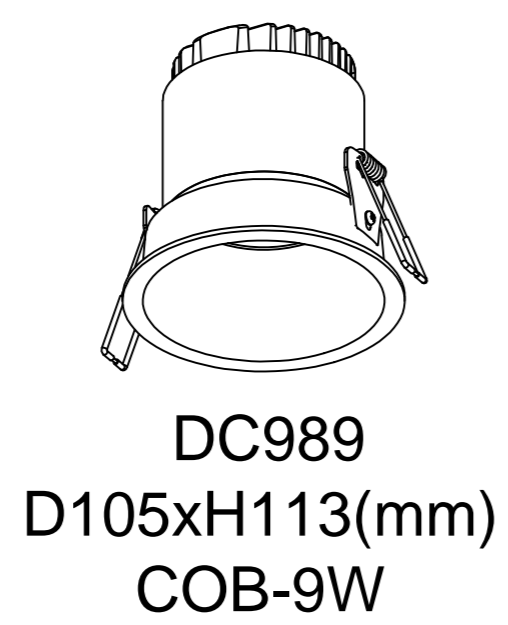
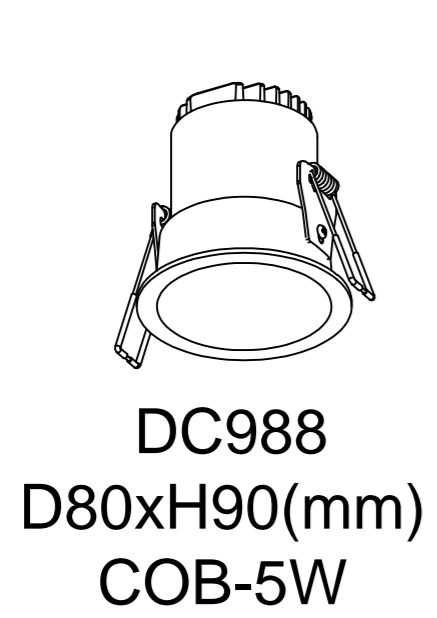
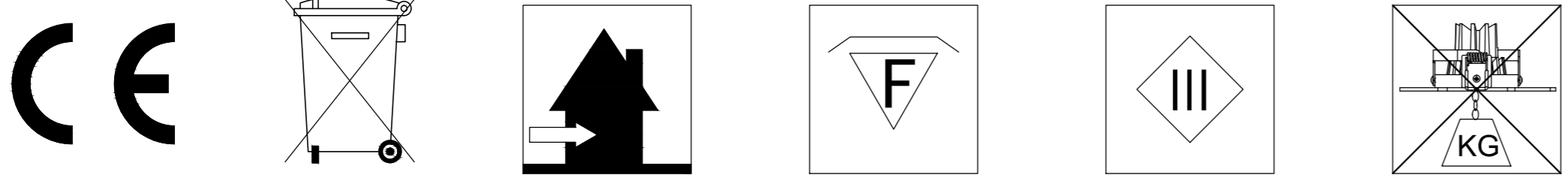


- 01.MAKE HOLE PATTERN
- 02.SWITCH OFF MAIN
- 03.CONNECT POWER-SUPPLY TO THE MAIN
- 04.CONNECT LAMP TO POWER SUPPLY
- 05.HOLD SPRINGS
- 06.PUT LAMP INTO CEILING
- 07.SWITCH ON THE MAIN AND LIGHT ON



Lamp:CREE COB LED  
 Color: 2700K/3000K/4000K/6000K  
 Color rendering: Ra95  
 Input: 220V-240V AC  
 Current: Constant 250/300/500mA  
 Frequency: 50/60Hz  
 Watt: 5W/9W/12W/20W  
 Life span: 50,000hrs  
 Operating temp: -20℃--+40℃  
 Indoor use only  
 IP20  
 Dimmable: NO

Cautions: a.Installed by qualified electrician  
 b.Use only power-supply supplied  
 by manufacturer for products guarantee