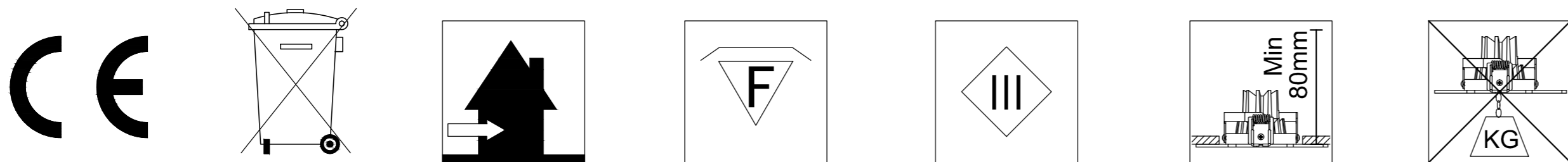
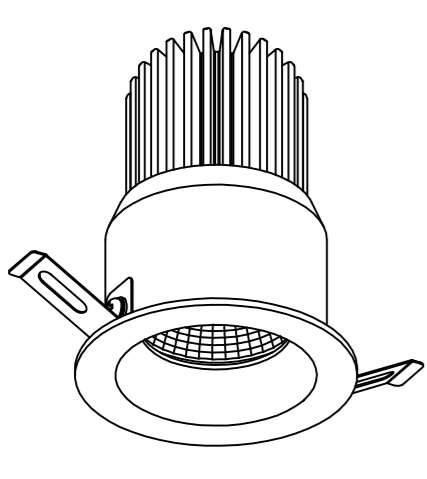


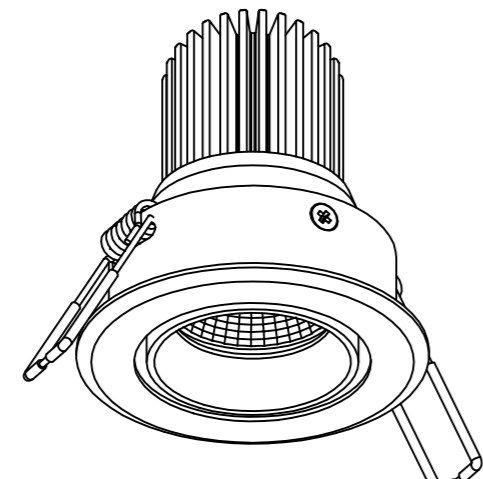
- 01.MAKE HOLE PATTERN
- 02.SWITCH OFF MAIN
- 03.CONNECT POWER-SUPPLY TO THE MAIN
- 04.CONNECT LAMP TO POWER SUPPLY
- 05.HOLD SPRINGS
- 06.PUT LAMP INTO CEILING
- 07.SWITCH ON THE MAIN AND LIGHT ON



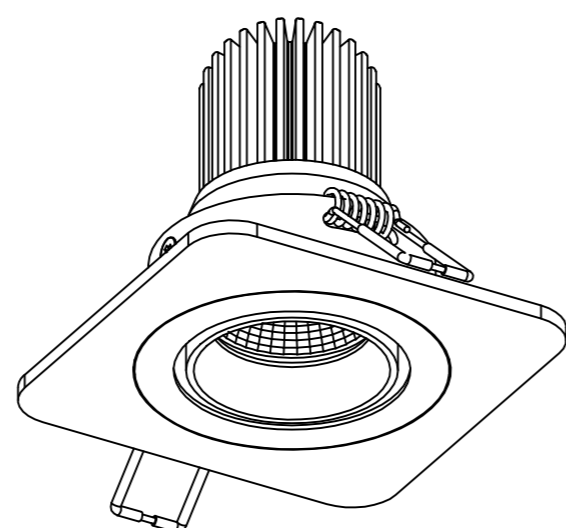
Lamp:CREE COB LED
 Color: 2700K/3000K/4000K/6000K
 Color rendering: Ra90
 Input: 220V-240V AC
 Current: Constant 500mA
 Frequency: 50/60Hz
 Watt: 5W
 Life span: 50,000hrs
 Operating temp: -20°C--+40°C
 Indoor use only
 IP20
 Dimmable: NO



DC992
D56xH85(mm)
COB-5W
open:Ø50mm



DC993
D70xH85(mm)
COB-5W
open:Ø60mm



DC994
L85xW85xH85(mm)
COB-5W
open:Ø65mm

Cautions: a.Installed by qualified electrician
 b.Use only power-supply supplied by manufacturer for products guarantee