

L CONNECTOR LEFT DALI 3-CIRCUIT

PRO-D635L



COLOURS



OPTIONS

Dimmable



Product code White (RAL 9010)
EAN code White

PRO-D635L-W
8719747931493

Product code Grey (RAL 7040)
EAN code Grey

PRO-D635L-S
8719747931509

Product code Black (RAL 9011)
EAN code Black

PRO-D635L-B
8719747931516

Main materials

PC UL94V0 +
Copper + Steel

Net weight per piece

125 g

Inner box / outer box

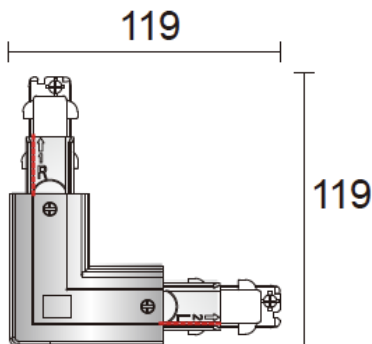
12 / 60 pcs

Rated voltage per circuit

230V / 16A



DIMENSIONS



For DALI-control system

Red line on the diagram indicates the polarity ridge

ON THE RIGHT TRACK



RoHS

