

T CONNECTOR LEFT1 DALI 3-CIRCUIT

PRO-D636L1



COLOURS



OPTIONS

Dimmable



Product code White (RAL 9010)
EAN code White

PRO-D636L1-W
8719747931646

Product code Grey (RAL 7040)
EAN code Grey

PRO-D636L1-S
8719747931653

Product code Black (RAL 9011)
EAN code Black

PRO-D636L1-B
8719747931660

Main materials

PC UL94V0 +
Copper + Steel

Net weight per piece

192 g

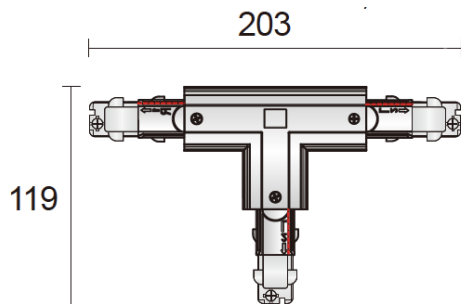
Inner box / outer box

9 / 54 pcs

Rated voltage per circuit

230V / 16A

DIMENSIONS



For DALI-control system

Red line on the diagram indicates the polarity ridge

ON THE RIGHT TRACK



RoHS

