

T CONNECTOR RIGHT1 DALI 3-CIRCUIT

PRO-D636R1



COLOURS



Product code White (RAL 9010)
EAN code White

PRO-D636R1-W
8719747931707

Product code Grey (RAL 7040)
EAN code Grey

PRO-D636R1-S
8719747931714

Product code Black (RAL 9011)
EAN code Black

PRO-D636R1-B
8719747931721

OPTIONS

Dimmable



Main materials

PC UL94V0 +
Copper + Steel

Net weight per piece

192 g

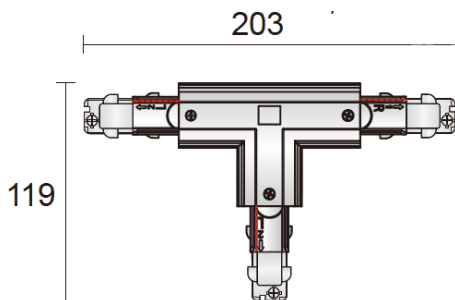
Inner box / outer box

9 / 54 pcs

Rated voltage per circuit

230V / 16A

DIMENSIONS



For DALI-control system

Red line on the diagram indicates the polarity ridge

ON THE RIGHT TRACK



RoHS

