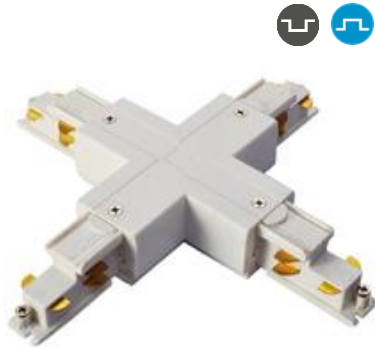


# X CONNECTOR DALI 3-CIRCUIT

PRO-D637



## COLOURS



## OPTIONS

Dimmable



Product code White (RAL 9010)  
EAN code White

PRO-D637-W  
8719747931585

Product code Grey (RAL 7040)  
EAN code Grey

PRO-D637-S  
8719747931592

Product code Black (RAL 9011)  
EAN code Black

PRO-D637-B  
8719747931608

Main materials

PC UL94V0 +  
Copper + Steel

Net weight per piece

265 g

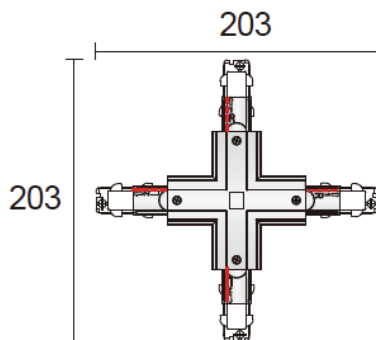
Inner box / outer box

2 / 24 pcs

Rated voltage per circuit

230V / 16A

## DIMENSIONS



*For DALI-control system*

Red line on the diagram indicates the polarity ridge

ON THE RIGHT TRACK



RoHS

