



INSTALLATION MANUAL

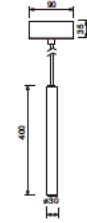
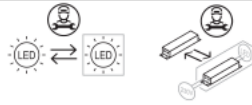
KARIZMA luce

PERLA

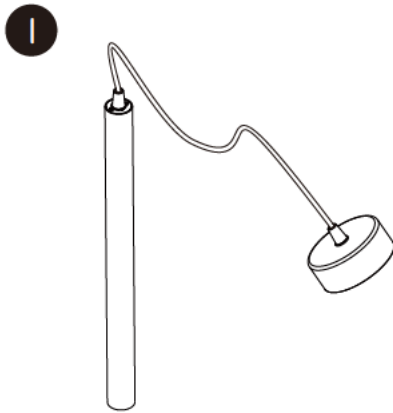


6W MAX | AC220 240V | 50/60Hz
IP20 | Die cast

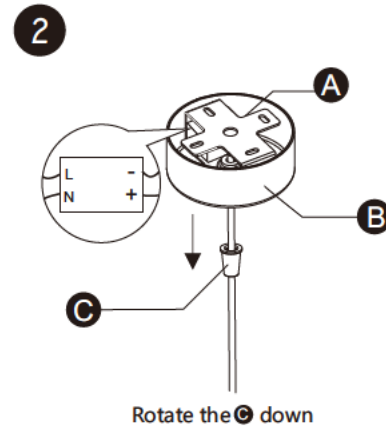
SOURCE:CREE



Do not operate with power supply connected.

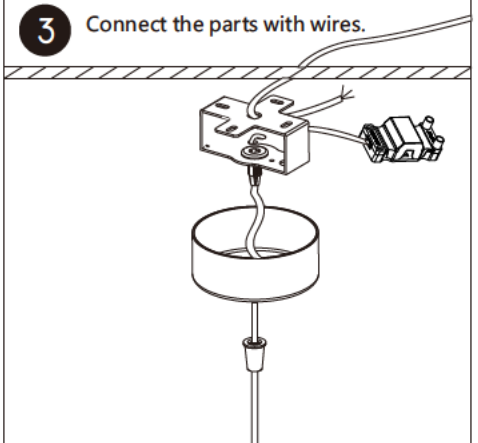


1

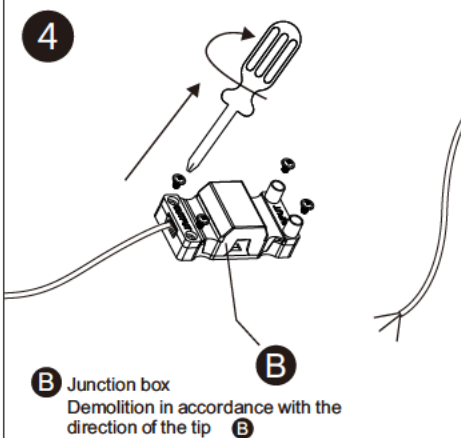


2

Rotate the **A** down

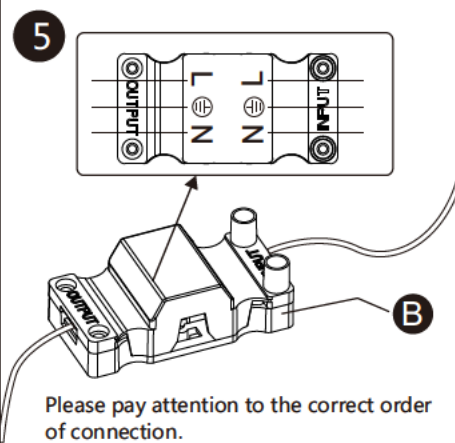


3 Connect the parts with wires.



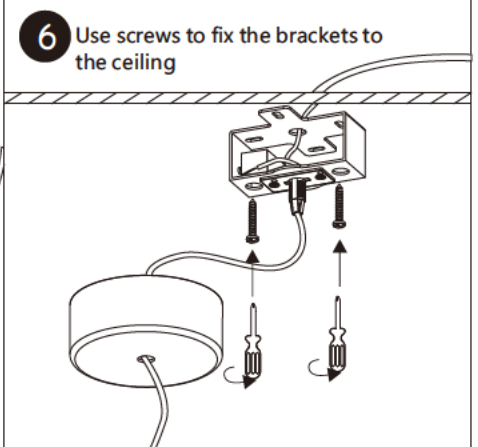
4

B Junction box
Demolition in accordance with the direction of the tip **B**

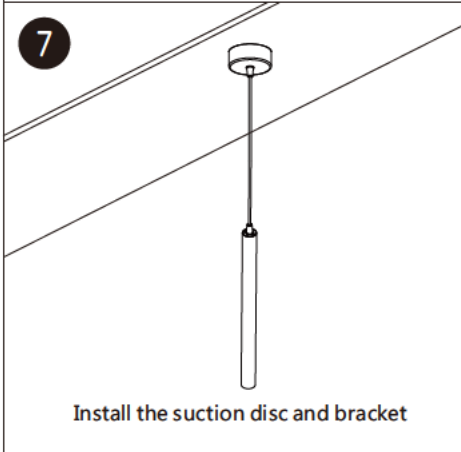


5

Please pay attention to the correct order of connection.

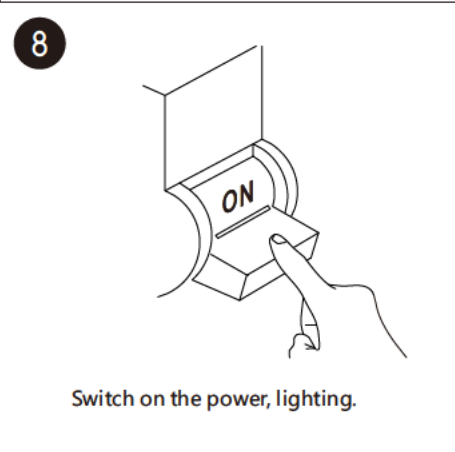


6 Use screws to fix the brackets to the ceiling



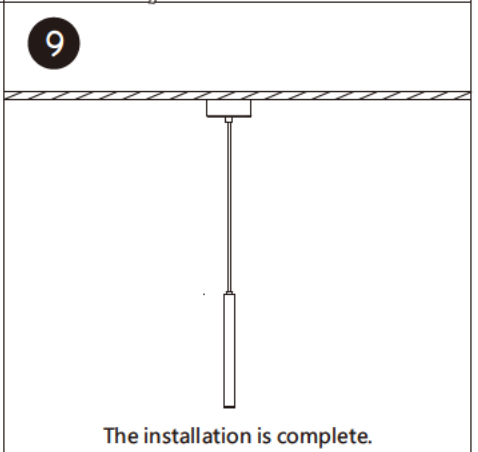
7

Install the suction disc and bracket



8

Switch on the power, lighting.



9

The installation is complete.

Warnings:

1. Make sure that the product is installed properly before connecting to electricity.
2. Do not cover the fitting.
3. Maintenance and installation should only be carried out by a professional electrician.