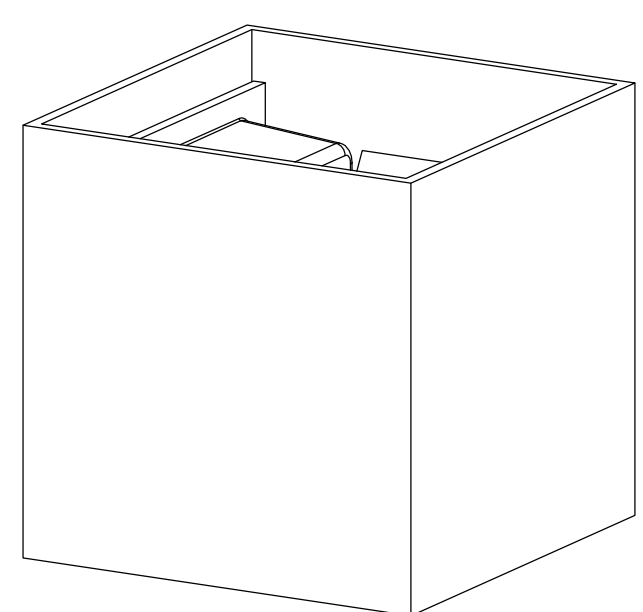
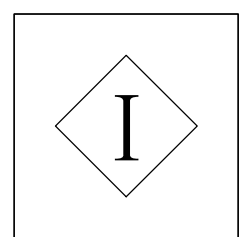
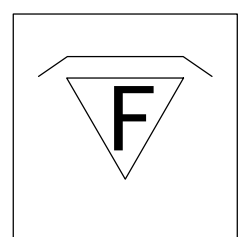
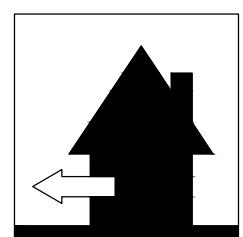
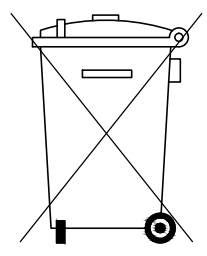
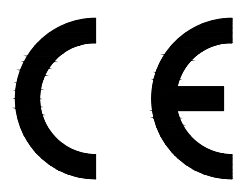
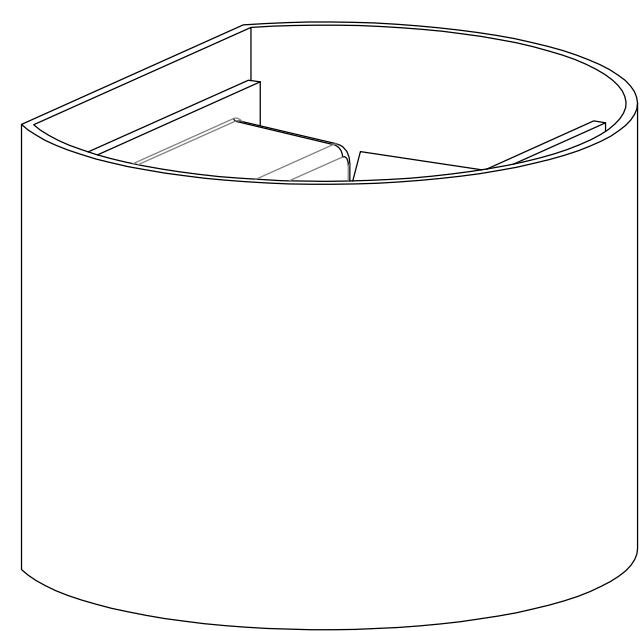


- 01.SWITCH OFF MAIN
- 02.MAKE HOLE PATTERN
- 03.INSTALL THE BASE PLATE
- 04.CONNECT LAMP TO THE MAIN
- 05.DRIVE IN THE SCREWS UNTILL TIGHT
- 06.SWITCH ON THE MAIN AND LIGHT ON



WA288
L100xW100xH100(mm)
SMD-2x3W



WA288A
L136xW116xH100(mm)
SMD-2x3W

Lamp:SMD-2835 LED
 Color: 2700K/3000K/4000K/6000K
 Color rendering: Ra80
 Input: 100V-240V AC
 Current: Constant 300mA
 Frequency: 50/60Hz
 Watt: 2x3W
 Life span: 20,000hrs
 Operating temp: -20°C--+40°C
 IP65
 Dimmable: NO

Cautions: a.Installed by qualified electrician
 b.Use only power-supply supplied
 by manufacturer for products guarantee